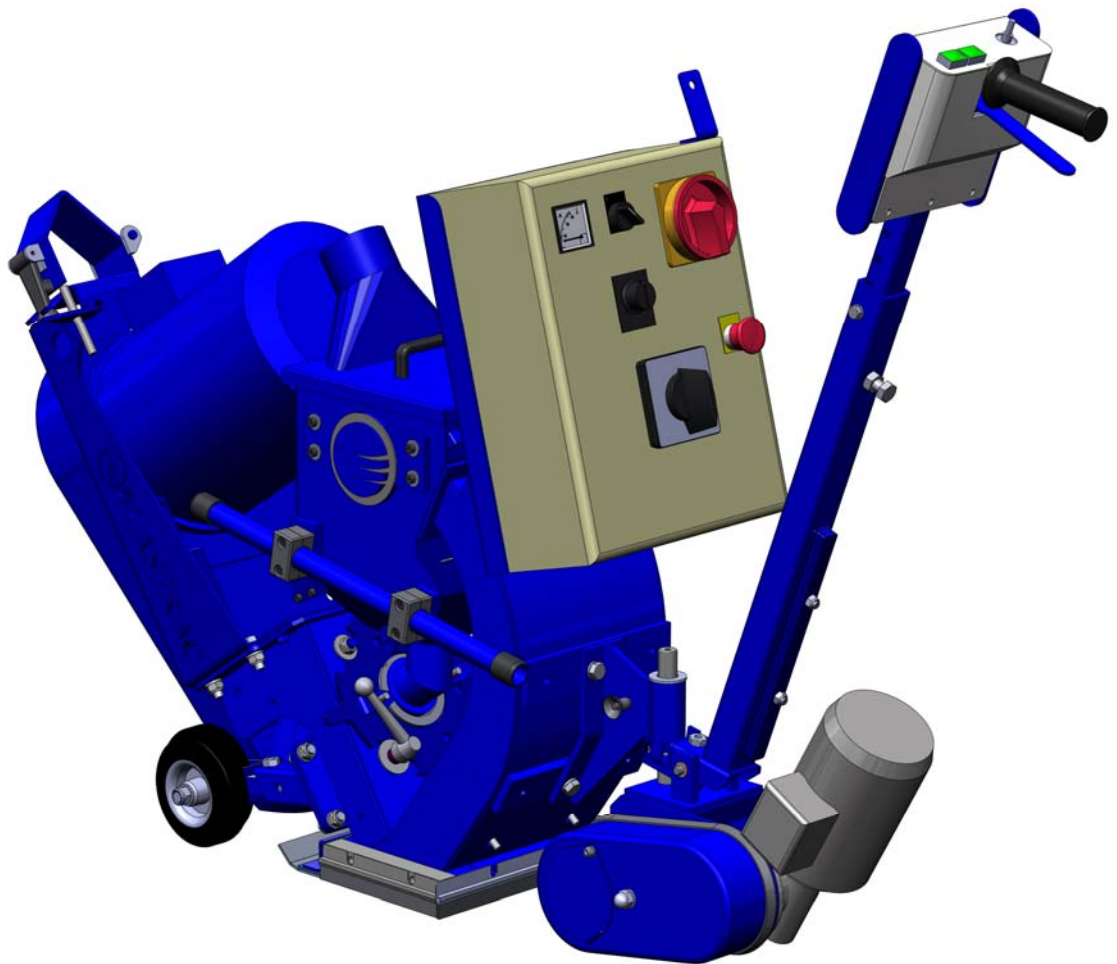




1-8DPS Global

1-8DPS30
1-8DPS55
1-8DPS75
Version 1.0



EC DECLARATION OF CONFORMITY

in accordance with Appendix II sub A of Directive 98/37/EC

BLASTRAC B.V.

Utrechthaven 12
NL - 3433 PN NIEUWEGEIN
Tel: 0031 (0)30 601 88 66
Fax: 0031 (0)30 601 83 33
Info@Blastrac.nl
The Netherlands

Declare under our sole responsibility that the machine as described below
Conforms with the Health and Safety requirements of the European Directive
of the machine Safety.

In case of changes to the machine without our written authorization this declaration loses
its validity.

Model: *BLASTRAC 1-8DPS Global* **Serial number:**

1. satisfies the conditions set out in the Machine Directive (Directive 98/37/EC); Low voltage directive (73/23/CEE, as last amended; EMC directive 89/336/CEE, as last amended)
2. satisfies the following harmonized standards:
NEN-EN 349, NEN-EN 418, NEN-EN 294 and NEN-EN 60204

Nieuwegein



Michiel Kalisvaart



Index

1. Spare parts	04
2. Maintenance box	12
Contact	



1. Spare parts

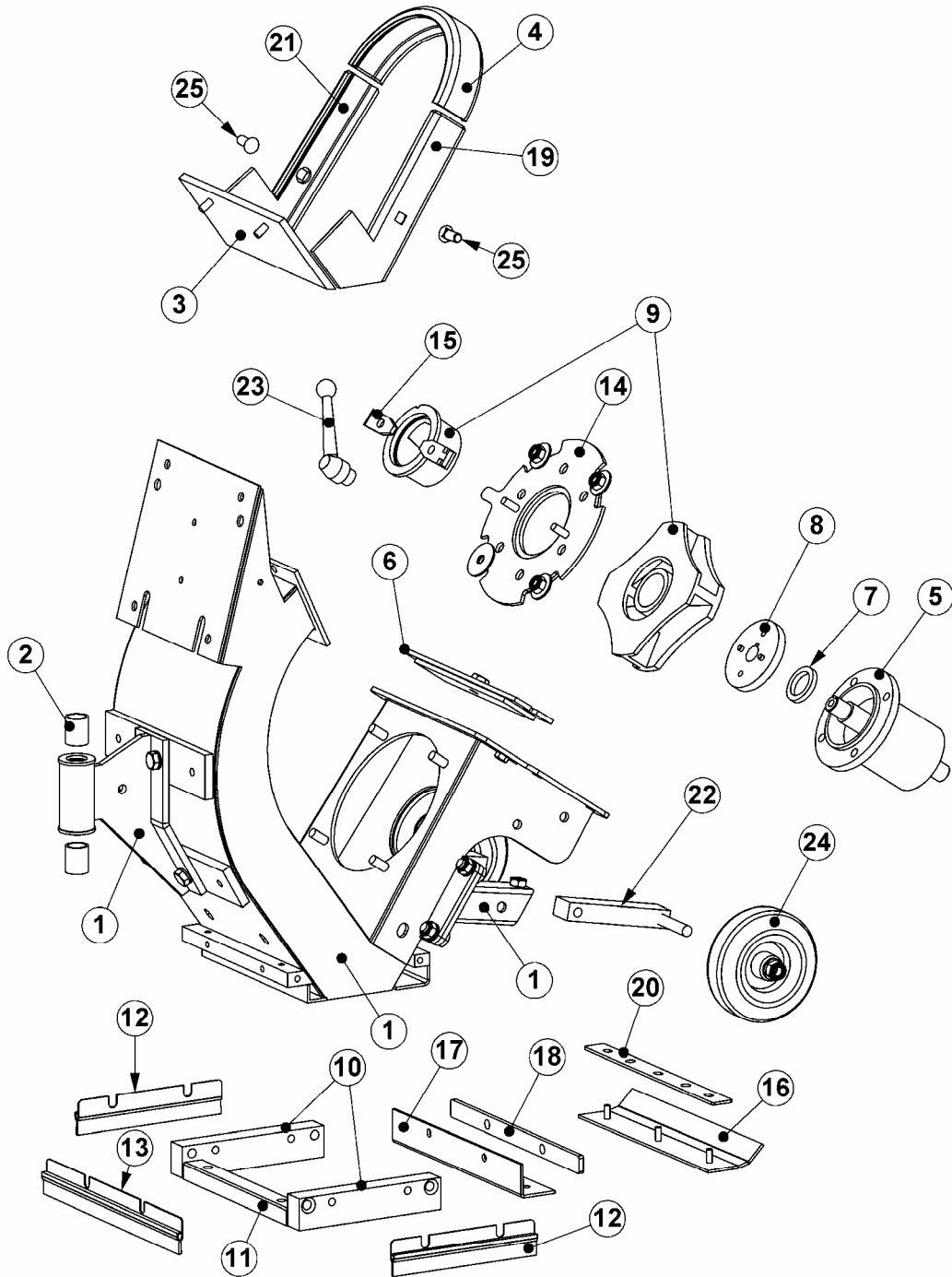


Fig. 01

Fig. 01

Item	Part number	Description	Remarks	Qty.
1	B21001	Blasthousing		1
2	004587	Oilite bush		2
3	B21009	Plenum bottom liner		1
4	B21044	Top liner		1
5	979085	Bearing unit		1
6	B21008	Blasthousing cover		1
7	976317	Felt seal		1
8	976310	Hub		1
9	B21637	Tune up kit 6 1/2"		1
10	969780	Side magnet		2
11	969763	Front magnet		1
12	001624	Side brush		2
13	001623	Front brush		1
14	E06437	Adjustable blastwheel cover		1
15	E06148	Cage clamp		1
16	969212	Skid seal		1
17	004573	Skid seal		1
18	971427	Skid retainer		1
19	969580	Side liner LH		1
20	971428	Skid retainer		1
21	969581	Side liner RH		1
22	969217	Rear wheel bar		2
23	E06921	Clamp lever M10		1
24	974963	Wheel		2
25	969586	Liner screw M10x25		2

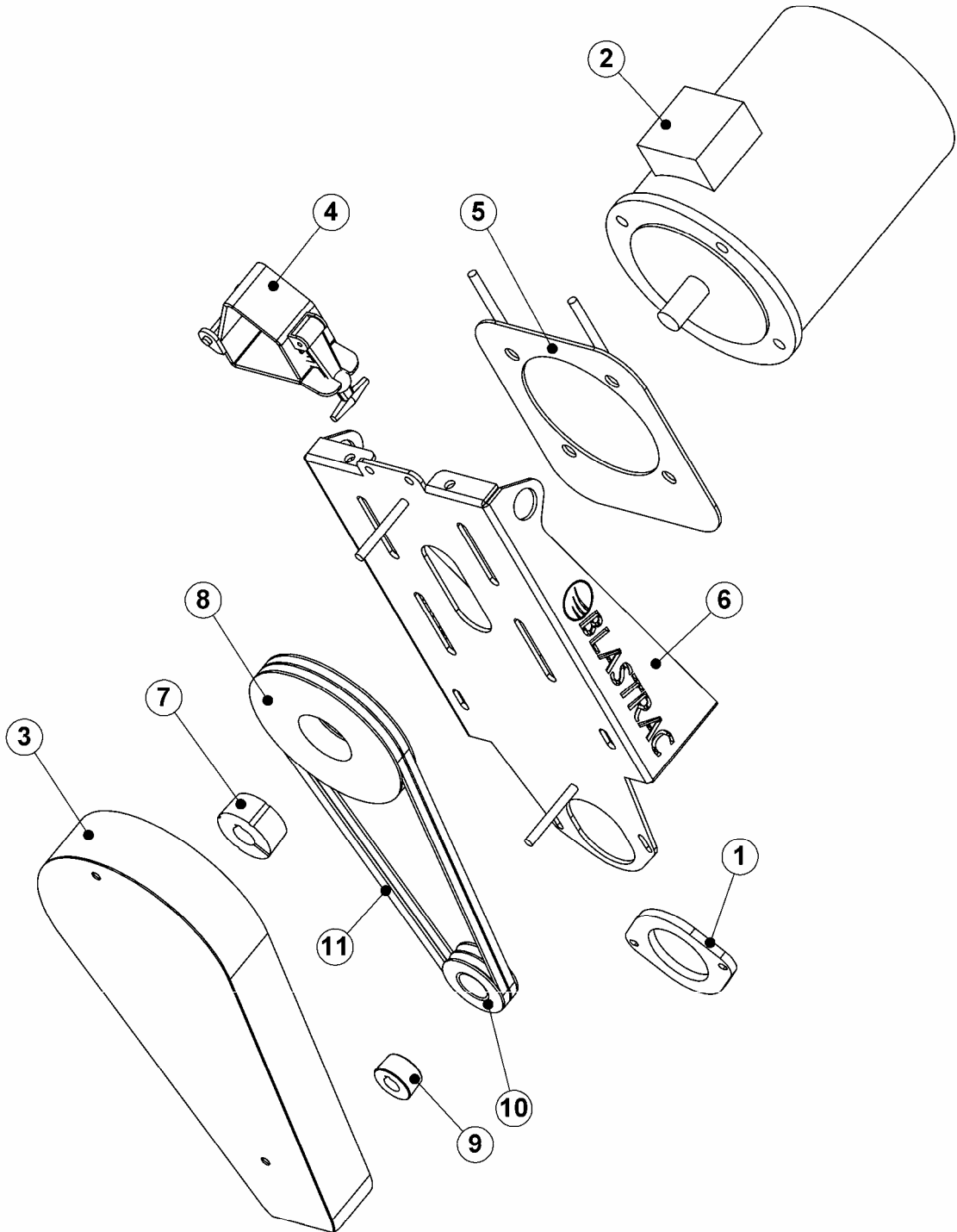


Fig. 02

Fig. 02

Item	Part number	Description	Remarks	Qty.
1	E06434	Dust cover	All types	1
2		3 kW motor	1-8DPS30	1
	E06360	5.5 kW motor	1-8DPS55	1
		7.5 kW motor	1-8DPS75	1
3	E06387	Belt guard	1-8DPS55 & 1-8DPS75	1
	E06939	Belt guard	1-8DPS30	1
4	E06392	Hose clamp	All types	1
5	E06394	Fill up plate blast motor	1-8DPS55 & 1-8DPS75	1
	E03028	Fill up plate blast motor	1-8DPS30	1
6	E06398	Motor bracket	1-8DPS55 & 1-8DPS75	1
	E06399	Motor bracket	1-8DPS30	1
7	E10415	Taper lock	1-8DPS55 & 1-8DPS75	1
	E06937	Taper lock	1-8DPS30	1
8	E06160	Pulley	All types	1
9	E03518	Taper lock	All types 50 Hz	1
	E00629	Taper lock	All types 60 Hz	1
10	976659	Pulley	All types 50 Hz	1
	E00620	Pulley	All types 60 Hz	1
11	E06131	V-belt	1-8DPS55 & 1-8DPS75 50 Hz	2
	E06182	V-belt	1-8DPS55 & 1-8DPS75 60 Hz	2
	E06938	V-belt	1-8DPS30- 50 & 60Hz	2

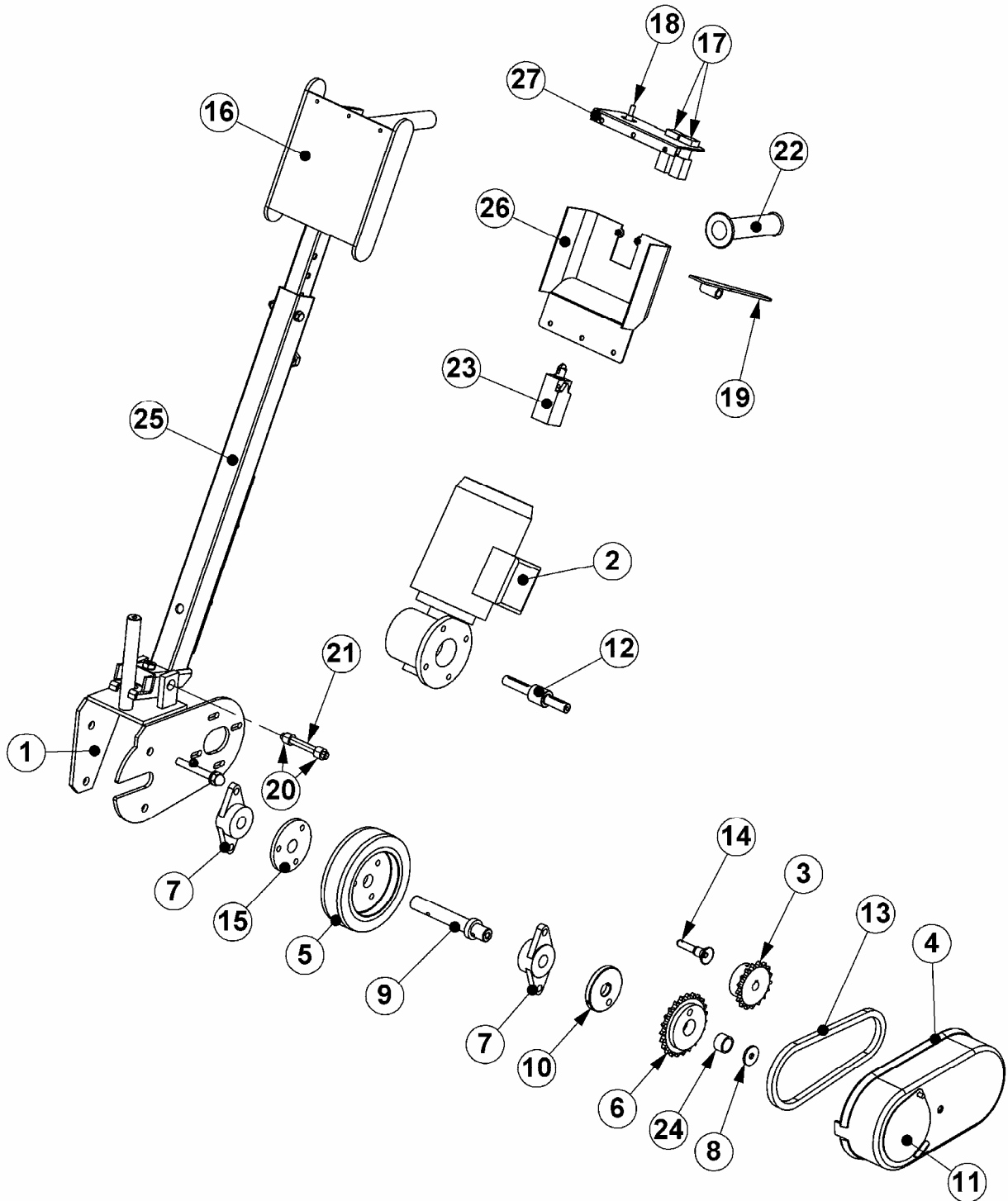


Fig. 03

Fig. 03

Item	Part number	Description	Remarks	Qty.
1	E03024	Drive motor bracket		1
2	E03026	Drive motor		1
3	979076	Drive motor sprocket		1
4	979067	Chain guard		1
5	969409	Drive wheel		1
6	979077	Drive sprocket		1
7	976818	Bearing		2
8		Washer		1
9	971621	Drive shaft		1
10	970015	Drive plate		1
11	976323	Cover for drive pin		1
12	E03035	Drive shaft		1
13	E00237	Chain 1/2" ISO		0.56M
14	478198	Quick release pin		1
15	970016	Wheel plate		1
16	E06403	Handle top part		1
17	E00867	switch		2
18	E00866	Potentiometer		1
19	E00743	Switch lever		1
20	976817	Sleeve bearing bush		2
21	970108	Swivel pin		1
22	453290	Soft grip Ø25		1
23	454796	Limit switch		1
24	979087	Sleeve bearing bush		1
25	E06405	Handle stem		1
26	E00740	Control box		1
27	E00741	Control box top plate		1

Fig. 04

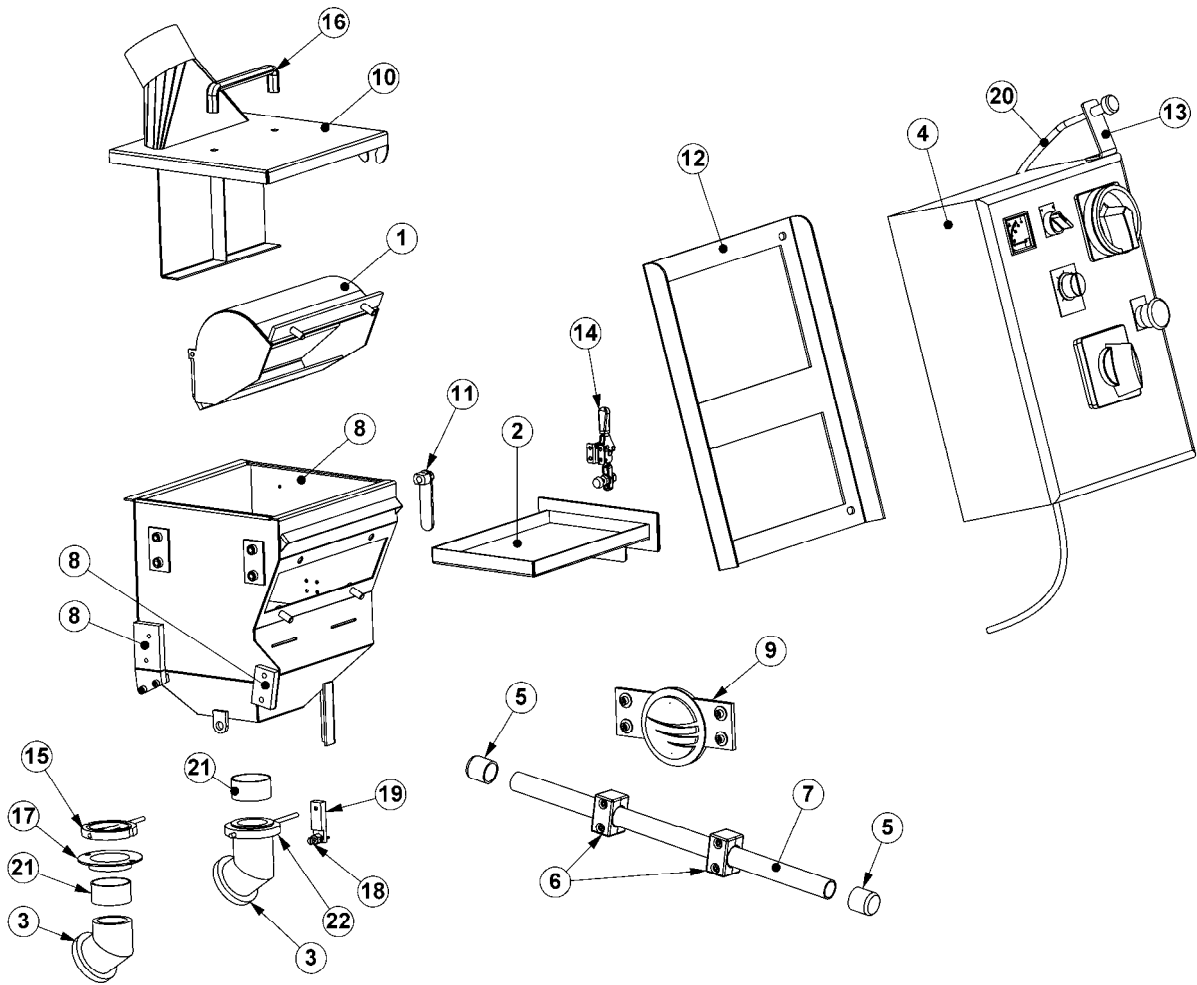


Fig. 04

Item	Part number	Description	Remarks	Qty.
1	B21003	Deflector		1
2	E06595	Separator tray		1
3	967577	Feed spout	1-8DPS30 & 1-8DPS55	1
4	E06142/ 1-8DPS30	Electro box complete 1-8DPS30	1-8DPS30	1
	E01535	Elektro box special 220V/SF	1-8DPS30 220V/SF 50/60Hz	1
	E06142/ 1-8DPS55	Electro box complete 1-8DPS55	1-8DPS55	1
	E06142/ 1-8DPS75	Electro box complete 1-8DPS75	1-8DPS75	1
5	E00368	Cable guide- end		2
6	DG39	Pipe clamp Ø25		2
7	DG41	Cable tube		1
8	E06418	Separator basic		1
9	E06436	Logo Blastrac with mounting strip		1
10	E06419	Separator lid		1
11	E06531	Locking lever		1
12	E06912	Adapter plate elektro box		1
13	B21021	Control cable bracket		1
14	1084	Clamp for separator tray		1
15	973322	Magnetic valve	1-8DPS75	1
16	970385	Handle		1
17	B21035	Adapter magnetic valve	1-8DPS75	1
18	491726-1	Nipple & screw		1
19	959647	Valve lever		1
20	975100	Control cable		1
21	971500	Feed spout seal ring		1
22	969819	Magnetic valve	1-8DPS30 & 1-8DPS55	1

3. Maintenance box

Maintenance box 1-8DPS55 50Hz / 1-8DPS75 50Hz : E07005
 Maintenance box 1-8DPS55 60Hz / 1-8DPS75 60Hz: E07006
 Maintenance box 1-8DPS30 50Hz & 60Hz: E07007

Item	Maintenance box 1-8DPS55/75 50Hz E07005		Qty.
1	E06131	V-belt	2
4 - 25		See list below	

Item	Maintenance box 1-8DPS55/75 60Hz E07006		Qty.
1	E06182	V-belt	2
4 - 25		See list below	

Item	Maintenance box 1-8DPS30 50/60Hz E07007		Qty.
1	E06938	V-belt	2
4 - 25		See list below	

Item	Part number	Description	Remarks	Qty.
4	001030	Metal box		
5	969580	Left liner		
6	969581	Right liner		
7	B21044	Top liner		
8	B21637	Tune-up kit 6"		
9	975100	Abrasive control cable		
10	004573	Rear seal rubber		
11	969212	Skid seal		
12	001624	Side brush		2
13	001623	Front brush		1
14	001017	Open-end spanner 10/11		
15	001040	Open-end spanner 13/17		
16	001019	Open-end spanner 17/19		
17	000144	Ratchet spanner 1/2"		
18	000145	Box spanner 8mm		
19	000146	Box spanner 13mm		
20	001043	Box spanner 17 mm		
21	001032	Screwdriver 5,5 x 100		
22	001035	Insulated screwdriver		
23	001056	Water pump pliers		
24	001000	Hammer		
25	001031	Safety glasses		

Headquarter

*Blastrac BV The Netherlands
Utrechthaven 12
NL - 3433 PN Nieuwegein
Tel: 0031 (0)30 601 88 66
Fax: 0031 (0)30 601 83 33
info@blastrac.nl*

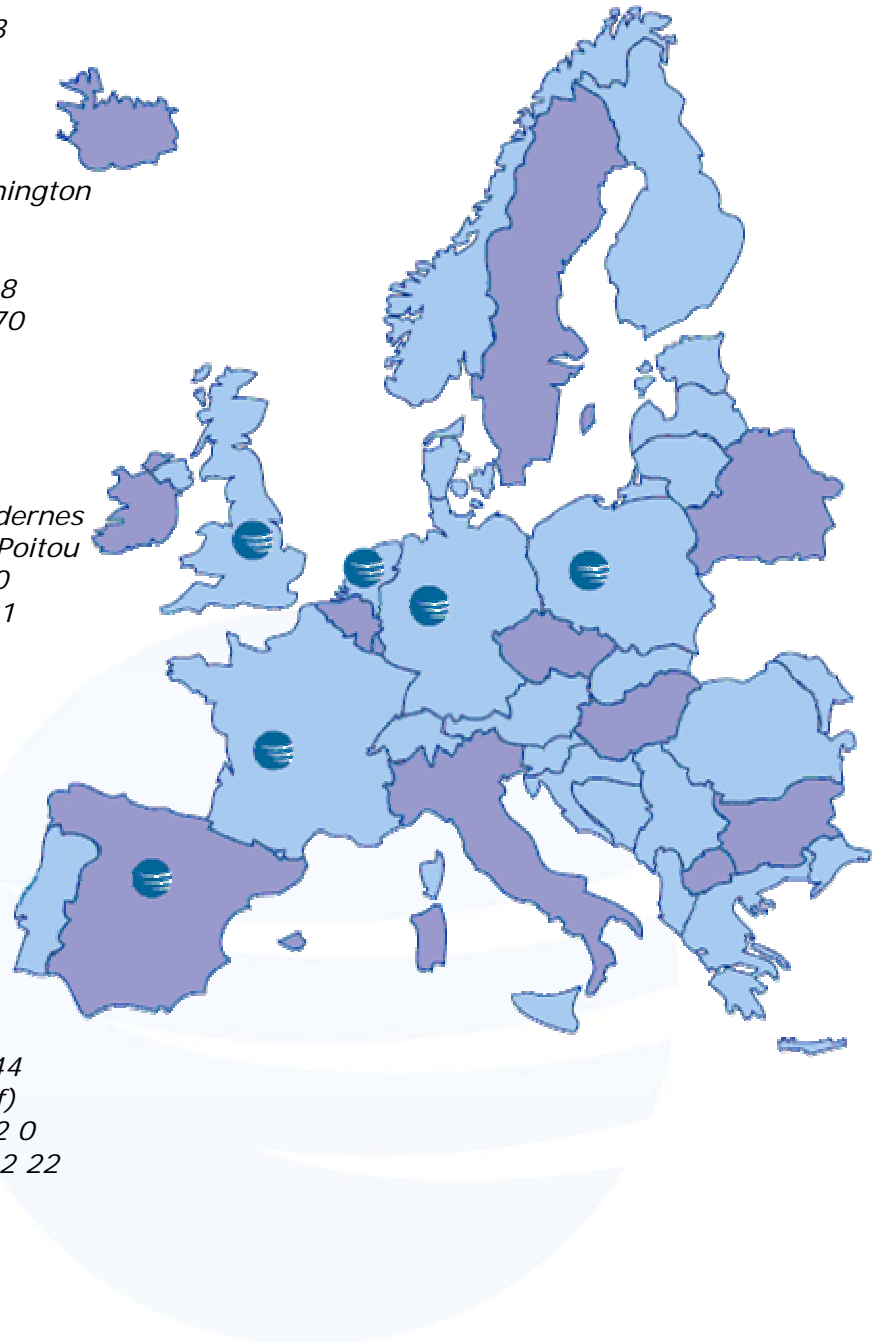
*Blastrac United Kingdom
Unit 2, Outgang Lane, Dinnington
Sheffield, South Yorkshire
GB – S25 3QU, England
Tel: 0044 (0) 1909 569 118
Fax: 0044 (0) 1909 567 570
info@blastrac.co.uk*

*Blastrac France
ZI
29, Avenue des Temps Modernes
F – 86360 Chasseneuil du Poitou
Tel: 0033 (0)5 49 00 49 20
Fax: 0033 (0)5 49 00 49 21
info@blastrac.fr*

*Blastrac Spain
Calle Copernico, 16
Nave 2
E – 28820 Coslada
Tel: 0034 91 660 10 65
Fax: 0034 91 672 72 11
info@blastrac.com.es*

*Blastrac Germany
Mathias Brüggén Straße 144
D – 50829 Köln (Ossendorf)
Tel: 0049 (0) 221 70 90 32 0
Fax: 0049 (0) 221 70 90 32 22
info@blastrac.de*

*Blastrac Poland
Golina, Dworcowa 47a
63-200 Jarocin
Tel: 0048 62 740 40 27
Fax: 0048 62 740 40 27
info@blastrac.pl*





Blastrac bv
 Utrechthaven 12
 3433 PN Nieuwegein
 Netherlands
 +31(0)30-6018866
 +31(0)30-6018333

Project description	1-8/10 DPS Basic		
Drawing number	PJ09.1022.00		
Arch. number			
Power supply	400V 50Hz		
Input lead	Input lead		
Control Voltage	24VAC		
Year of Manufacturing	2009		
Remarks	Remarks		
Created on	25-4-2008		
Edit date	17-11-2009	by	Number of pages 12

			Date	17-11-2009	Project name:	1-8/10 DPS Basic		Page description:	Titelblad / voorblad	Customer:	Blastrac	=
			Ed.					+				
			Appr					Page		1		
Modification	Date	Name	Last print	17-11-2009				Drawing number:	PJ09.1022.00			

Table of contents

Page	Page description	supplementary page field	Date	Edited by
1	Titelblad / voorblad		17-11-2009	
2	Table of contents		9-11-2009	
2.a	Revision sheet		9-11-2009	
3	Legend		9-11-2009	
4	Symbol library		9-11-2009	
5	Panel layout		17-11-2009	
10	Main Current		17-11-2009	
11	Main Current		17-11-2009	
12	Control Current		9-11-2009	
20	Terminal diagram		9-11-2009	
21	Terminal diagram		9-11-2009	
30	Parts list		17-11-2009	

WIRE COLOR

Main Voltage 400/230V

<u>Phase</u>	<u>Colors</u>
L1	- Black
L2	- Black
L3	- Black
N	- Light Blue
Earth / PE	- Yellow/Green

Control Voltage

Phase (230VAC)	- Red
Hook-up wire	- Red
Neutral (230VAC)	- Red

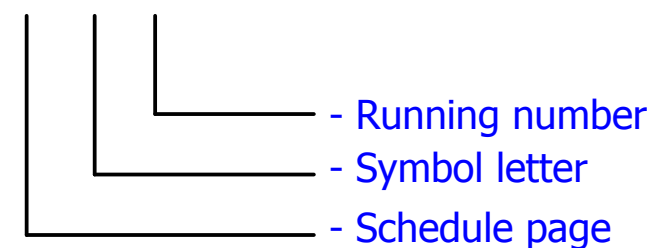
Phase (24VAC)	- Orange
Hook-up wire	- Orange
Neutral (24VAC)	- Orange

Plus (24VDC)	- White
Hook-up wire	- White
Minus / Ground (24VDC)	- White

Phase (42VAC)	- Brown
Hook-up wire	- Brown
Neutral (42VAC)	- Brown

SYMBOL CODE

11 F 11



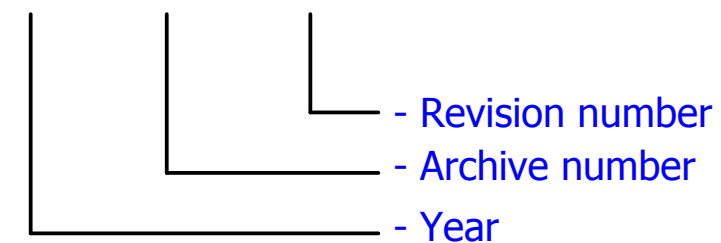
CORE CODE

11 11



DRAWING NUMBER

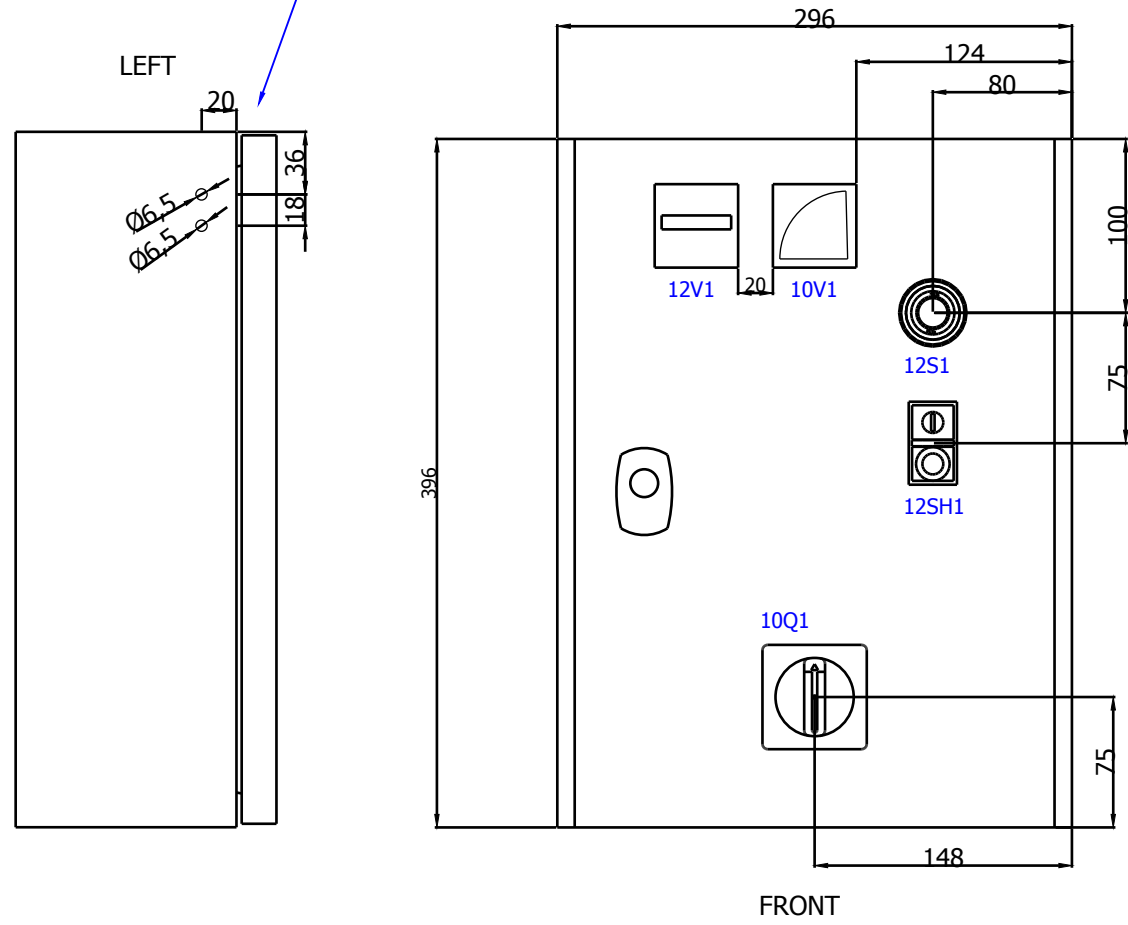
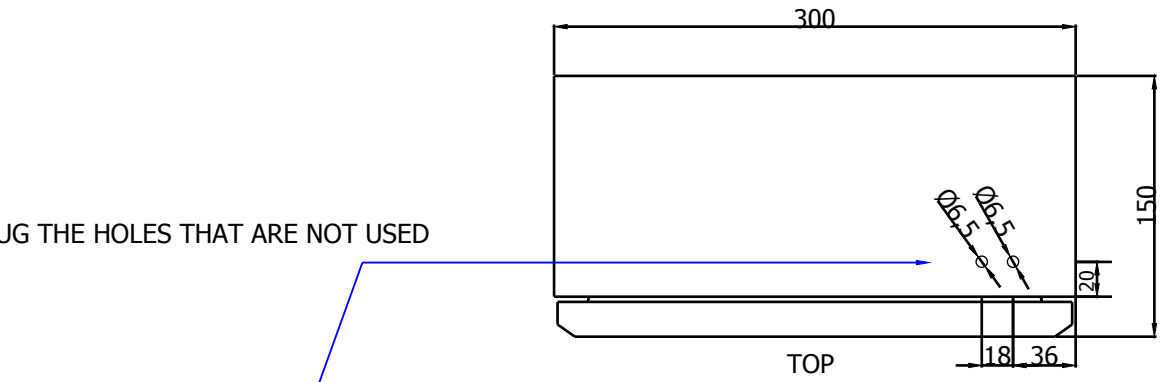
PJ##.####.##



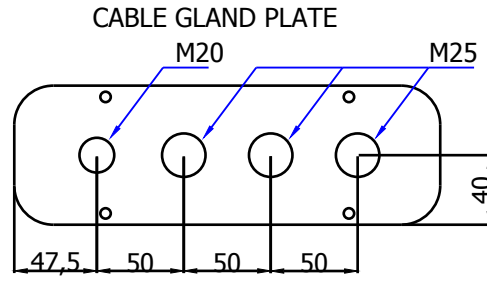
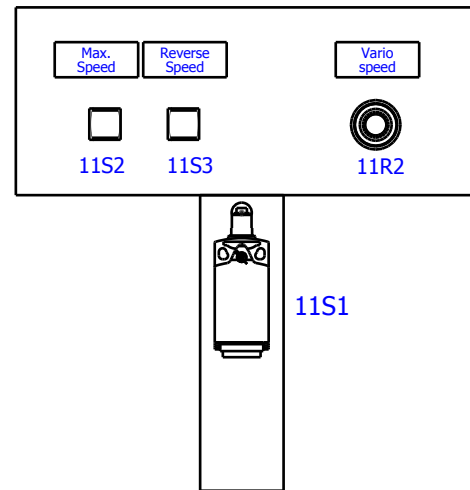
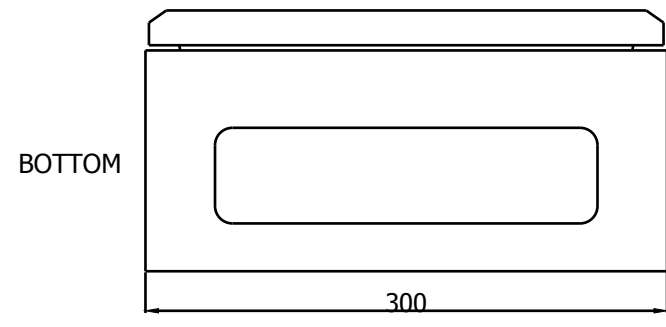
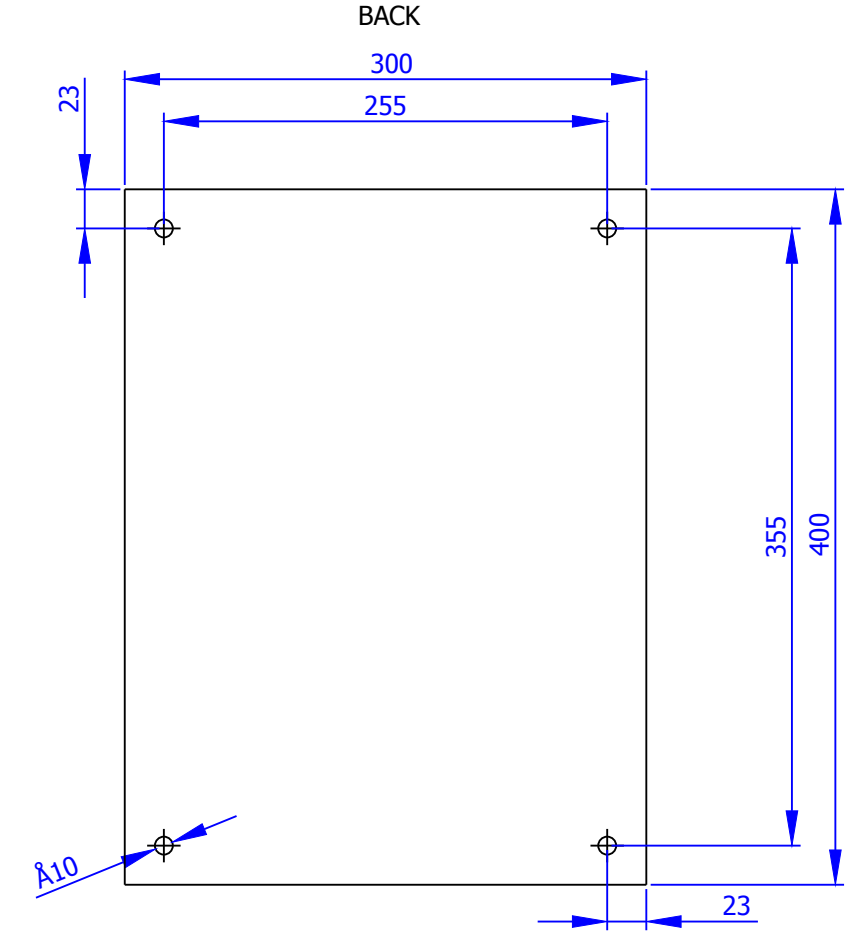
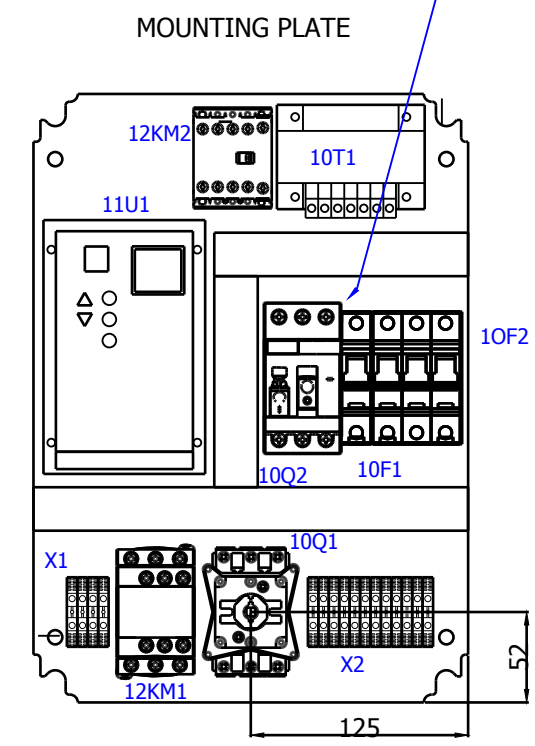
Modification	Date	Name	Last print	17-11-2009	Project name:	1-8/10 DPS Basic		Page description:	Legend	Customer:	Blastrac	=	
										Drawing number:	PJ09.1022.00	+	
												Page	3

	auxiliary contact	hulpcontact		signal light	signaallamp		Safety fuse	smeltveiligheid
	Power contact	vermogenscontact		horn	hoorn		Fused switch, three-pole	schakelbare scheid
	NO contact, opens with time delay	maakcontact, vertraagd open		apm.meter	amperemeter		Fused disconnect, three-pole	scheid "klapbak"
	NO contact, closes with time delay	maakcontact, vertraagd sluitend		runninghour counter	urenteller		Main switch	hoofdschakelaar
	NC contact, opens with time delay	verbreekcontact, vertraagd open		transformer	transformator		Circuit breaker, single-pole	installatieautomaat 1-polig
	NC contact, closes with time delay	verbreekcontact, vertraagd sluitend		Contactor coil relay coil	spoel		Circuit breaker, two-pole	installatieautomaat 2-polig
	Pushbutton rebound	drukknop terugverend		Contactor/relay coil, with pick-up delay	Spoel met opkomvertraging		Circuit breaker, three-pole	installatieautomaat 3-polig
	Pushbutton locking	drukknop blijvend		Contactor/relay coil, with drop-out delay	spoel met afvalvertraging		Power circuit breaker motor overload switch with switch mechanism	motorbeveiligingsschakelaar
	Rotary switch rebound	tip draaischakelaar		Contactor pulse coil relay pulse coil,	spoel puls		Valve	elektrisch bediende klep
	Rotary switch locking	draaischakelaar		Tube light	TL verlichting		Resistor with movable contact	regelbare weerstand
	Emergency stop rotary unlock	noodstop met draaibare vrijgave		Resistor / Heating	weerstand verwarming		Terminal	rijgklem
	Thermostatic switch	thermostaat hygrostaat		Socket	wandcontactdoos		Terminal with fuse	rijgklem met zekering
	Pressure switch	drukschakelaar		Current transformer	stroomtransformator		Rectifier	gelijkrichter
	Limit switch	eindschakelaar						
	Proximity switch	naderingsschakelaar						

PLUG THE HOLES THAT ARE NOT USED



THE CORRECT MOTOR CIRCUIT BREAKER NEEDS TO BE PLACED ACCORDING TO MOTOR POWER



Modification	Date	Name	Last print	17-11-2009

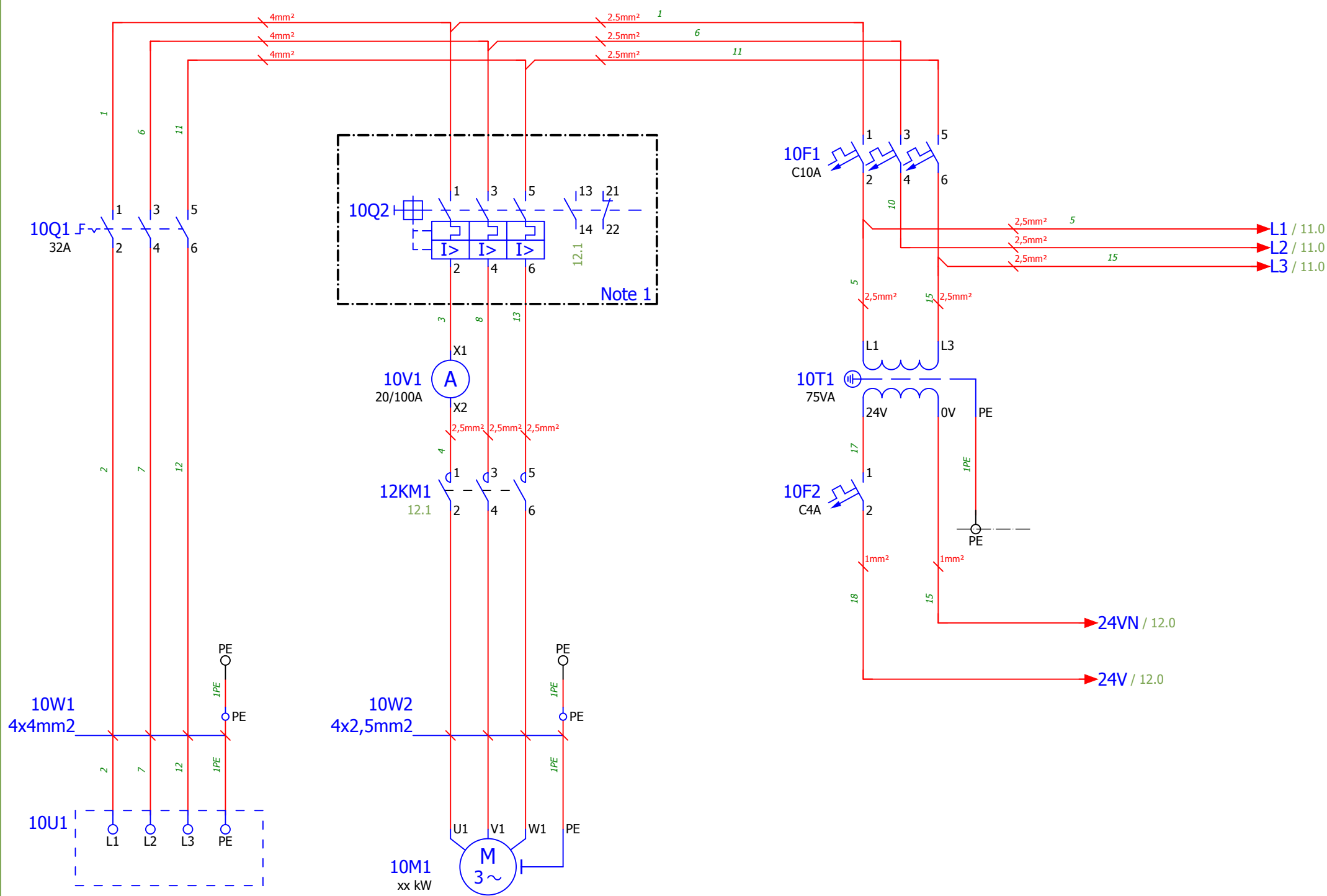
Date	17-11-2009
Ed.	
Appr	
Project name:	1-8/10 DPS Basic



Page description:	Panel layout
-------------------	--------------

Customer:	Blastrac
Drawing number:	PJ09.1022.00

Page	5
------	---



Power supply
400V 50Hz

Blast motor
xxkW/xxA

Control current

Note 1

The Motor circuit breaker type and setting range needs to be determined according to the used power of the motor. The Circuit breaker is to be ordered separately.

Date	17-11-2009
Ed.	
Appr	
Last print	17-11-2009

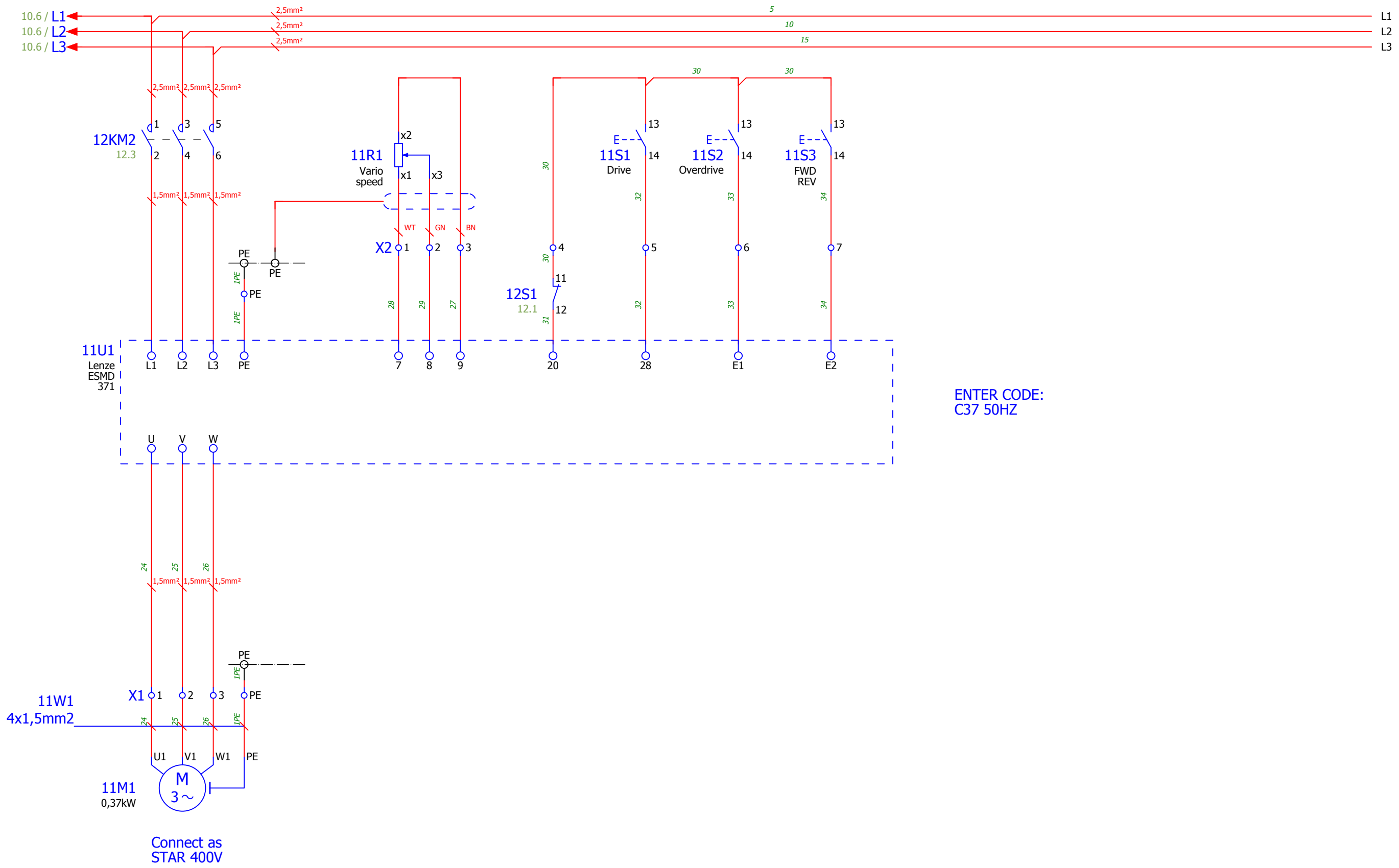
Project name:	1-8/10 DPS Basic
---------------	------------------



Page description:	Main Current
-------------------	--------------

Customer:	Blastrac
Drawing number:	PJ09.1022.00

Page	10
------	----



Wheel motor

Speed control

Controls

Modification	Date	Name	Last print
	17-11-2009		17-11-2009

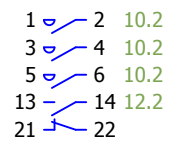
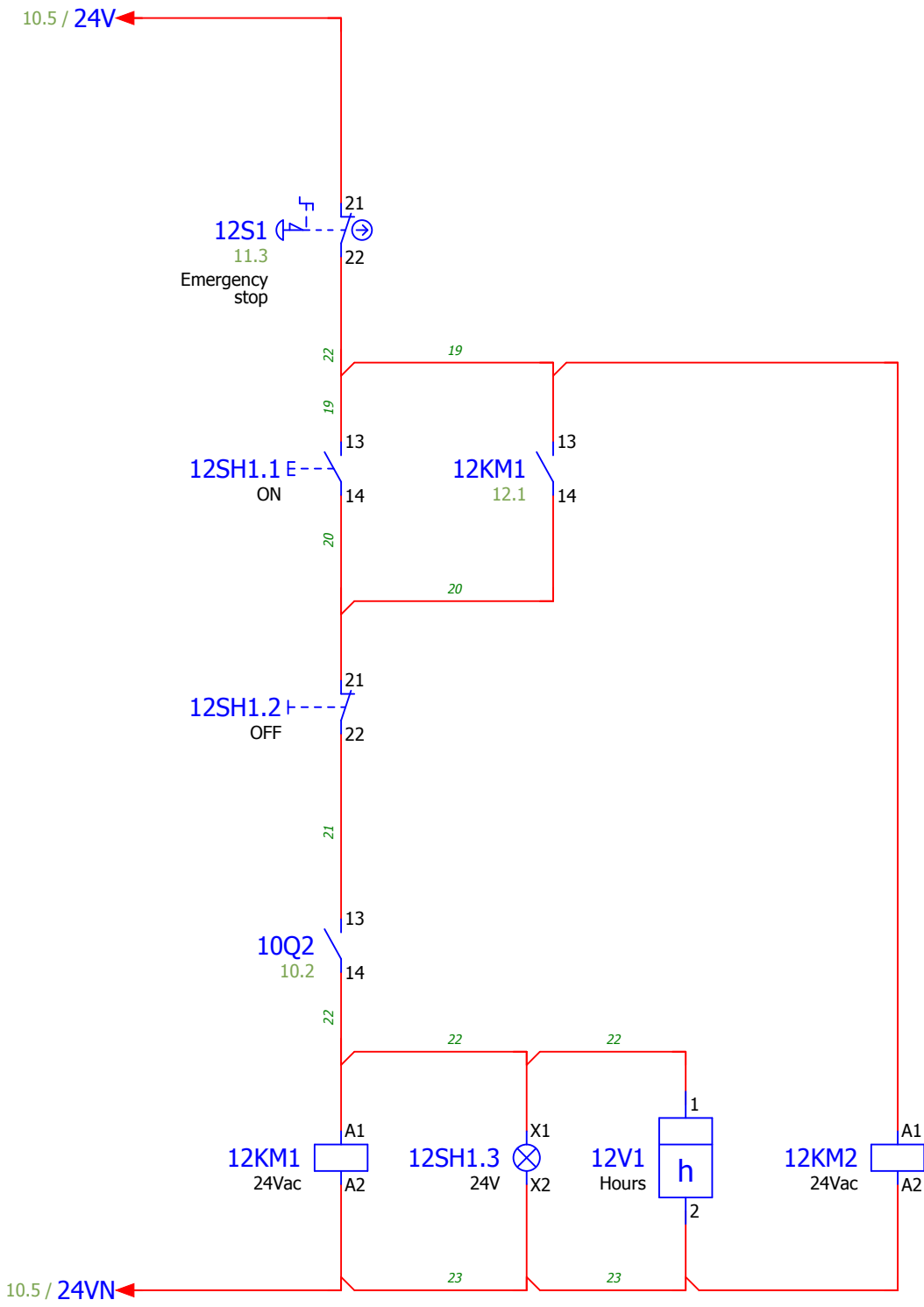
Project name:	1-8/10 DPS Basic
---------------	------------------



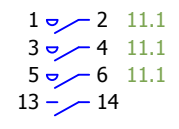
Page description:	Main Current
-------------------	--------------

Customer:	Blastrac
Drawing number:	PJ09.1022.00

Page	11
------	----



Control Voltage ON



Hours Run

Modification	Date	Name	Last print	17-11-2009
			Date	9-11-2009
			Ed.	
			Appr	

Project name: 1-8/10 DPS Basic



Page description: Control Current

Customer:	Blastrac	=
Drawing number:	PJ09.1022.00	+
		Page 12

Terminal diagram

function text	Strip X1											Page / column				
	Cable name					cable type	Cable name						cable type			
						Target designation	Connection point	terminal	jumper	Target designation	Connection point					
Wheel motor						11M1	U1	1	•	11U1	U					11.1
=						11M1	V1	2	•	11U1	V					11.1
=						11M1	W1	3	•	11U1	W					11.1
=						11M1	PE	PE	•	PE						11.1

Terminal diagram

function text	Cable name	Strip X2				Cable name	Page / column			
		cable type	Target designation	Connection point	terminal			jumper	Target designation	Connection point
Speed control			11R1	x1	1	•	11U1	7		11.2
=			11R1	x3	2	•	11U1	8		11.2
=			11R1	x2	3	•	11U1	9		11.3
Controls			11S1	13	4	•	12S1	11		11.3
=			11S1	14	5	•	11U1	28		11.4
=			11S2	14	6	•	11U1	E1		11.4
=			11S3	14	7	•	11U1	E2		11.5

Parts list

device tag	Quantity	designation	Type number	part number
10Q1	1	Switch 3p. 32A + red/yellow handle, axle and doorlockplate	VCCF1	VCCD1
10Q2	0	Motor circuit breaker	GV2 ME14	GV2ME14
10Q2	0	Motor circuit breaker	GV2 ME16	GV2ME16
10Q2	0	Motor circuit breaker	GV2 ME20	GV2ME20
10Q2	1	auxiliary contact NO+NC - front mount.	GV2-AE11	GVAE11
10V1	1	Amp-meter 15/90A + V12	IQ48-15/90A MEET/R.	15.01.0193
10F1	1	Miniature circuit breaker 3P C10A	C60N-1492-SP3C100	1492-SP3C100
10T1	1	Transformer 400/480V±15V -> 24V	STEP 8/1 400/480->24 75VA	06.01.0289
10F2	1	Miniature circuit breaker 1P C4A	C60N-1492-SP1C040	1492-SP1C040
11U1	1	Frequency inverter	ESMD371L4TXA	ESMD371L4TXA
11R1	1	Trim-pot 10K	Potmeterset 10K ZB4	Potmeterset 10K ZB4
11R1	1	Pot.meter	ZB5 AD912	ZB5 AD912
11S1	1	Standswitch	XCK-P2102P26 Bed.eindschak.	08.07.0109
11S2	1	Pushbutton 16mm White	XB6-CA11B	08.01.0243
11S3	1	Pushbutton 16mm White	XB6-CA11B	08.01.0243
12S1	1	element NC with mountingbase	ZB4 BZ102	ZB4 BZ102
12S1	1	Pushbutton Emergency stop	ZB4 BS54	ZB4 BS54
12S1	1	element NC	ZBE 102	ZBE 102
12SH1.1	1	element NO	ZBE 101	ZBE 101
12SH1.1	1	Pushbutton COMBI	ZB5 AW823743	ZB5 AW823743
12SH1.1	1	Silicon hood for combibutton	ZBW 008	ZBW 008
12SH1.1	1	element NC with mountingbase	ZB5 AZ102	ZB5 AZ102
12KM1	1	Contacto	LC1D18B7	LC1 D18B7
12SH1.3	1	24V Pilot light White	XB5 AVB1	XB5 AVB1
12V1	1	Time counter 48x48 / 24VAC	BW40.18 Urenteller	40.18.2306
12KM2	1	Contacto	LC1K1210B7	LC1K1210B7
X1	3	2 Wire terminal 4mm²	WEID ZDU 4	1632050000
X1	2	2 Wire PE terminal 4mm²	WEID ZPE 4	1632080000
X2	7	2 Wire terminal 2.5mm²	WEID ZDU 2.5	1608510000
X2	4	2 Wire PE terminal 2.5mm²	WEID ZPE 2.5/	1608640000

Modification	Date	Name	Last print	17-11-2009	Project name:	1-8/10 DPS Basic		Page description:	Parts list	Customer:	Blastrac	=	
										Drawing number:	PJ09.1022.00	+	
												Page	30



Blastrac bv
 Utrechthaven 12
 3433 PN Nieuwegein
 Netherlands
 +31(0)30-6018866
 +31(0)30-6018333

Project description	1-8 DPS 30 230V SF UL MKII		
Drawing number	PJ10.1040.01		
Arch. number	E01535-1		
Power supply	230VAC 60Hz		
Input lead			
Control Voltage	230VAC 60Hz		
Year of Manufacturing	2010		
Remarks	Preliminary		
Created on	25-1-2010		
Edit date	23-2-2010	by	Number of pages 15

			Date	23-2-2010	Project name:		Page description:	Titelblad / voorblad	Customer:	Blastrac BV	=
			Ed.		1-8 DPS 30 230V SF UL MKII				Customer:	Blastrac BV	+
Modification	Date	Name	Appr						Drawing number:	PJ10.1040.01	Page

Table of contents

Page	Page description	supplementary page field	Date	Edited by
1	Titelblad / voorblad		23-2-2010	hvandenbrink
2	Table of contents		26-1-2010	FJK
2.a	Revision sheet		8-5-2009	FJK
3	Legend		26-1-2010	FJK
4	Symbol library		8-5-2009	FJK
5	Panel layout		26-1-2010	FJK
6	Panel layout dimensions		26-1-2010	FJK
6.a	Mountingplate dimensions		26-1-2010	FJK
7	Cableset		26-1-2010	FJK
10	Main Current		27-1-2010	FJK
11	Control current		27-1-2010	FJK
20	Terminal diagram		23-2-2010	hvandenbrink
21	Terminal diagram		23-2-2010	hvandenbrink
22	Terminal diagram		23-2-2010	hvandenbrink
30	Part list		23-2-2010	hvandenbrink

Revision	Date	Discription	Remark	Editor
01	23-02-2010	Brand added in partlist	Engeneering Art4	HvdB

WIRE COLOR

Main Voltage (200-230Vac)

<u>Phase</u>	<u>Colors</u>
L	- Black
N	- Light Blue
Earth / PE	- Yellow/Green

Control Voltage

Phase (230VAC)	- White
Hook-up wire	- White
Neutral (230VAC)	- White

Frequency inverter and Varispeed V7

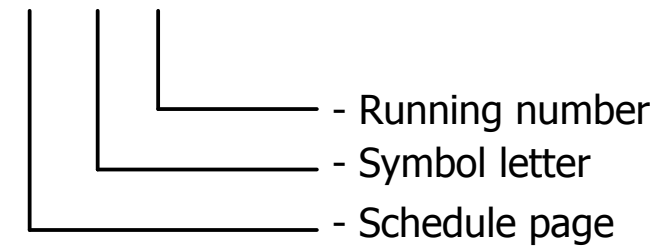
Hook-up wire	- Red
--------------	-------

AWG - Metric

AWG 12	- 4.0mm ²
AWG 14	- 2.5mm ²
AWG 18	- 1.0mm ²
AWG 22	- 0.5mm ²

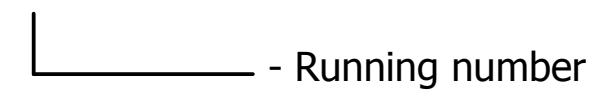
SYMBOL CODE

11 F 11



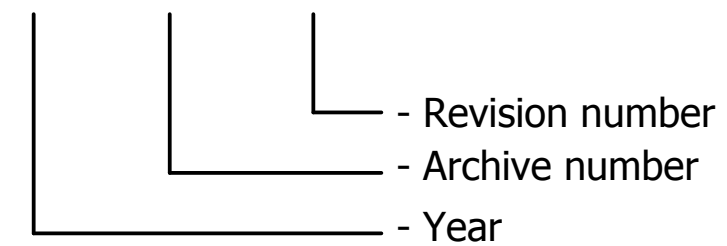
CORE CODE

11 11



DRAWING NUMBER

PJ##.####.##

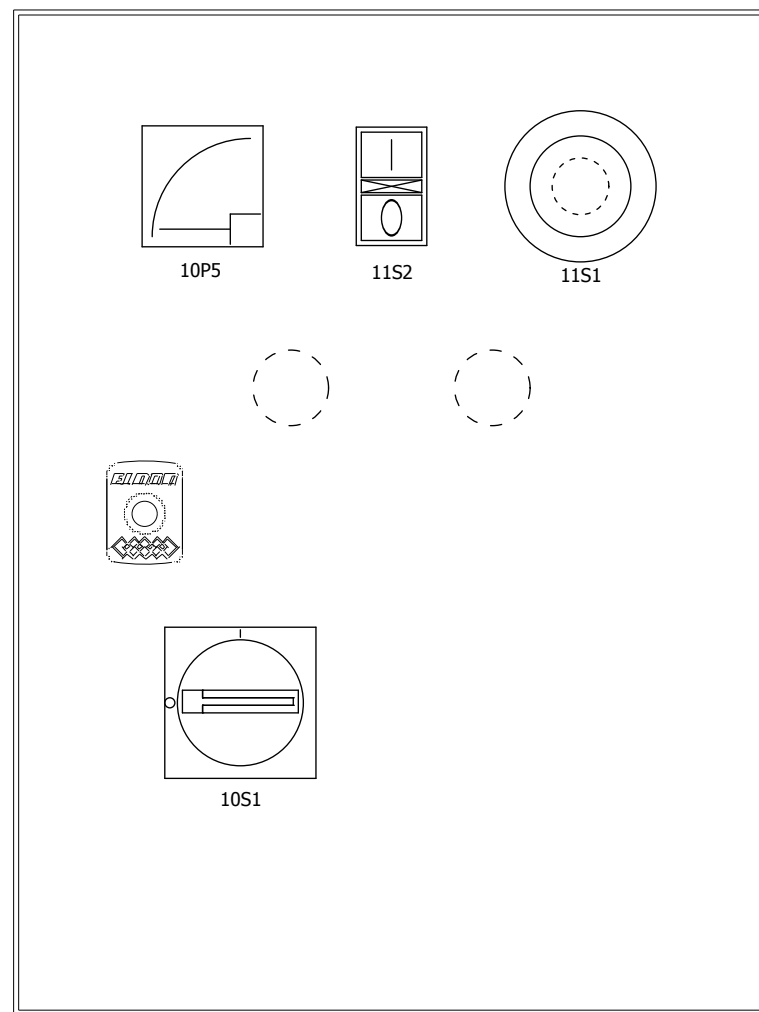


Modification	Date	Name	Date	26-1-2010	Project name:	1-8 DPS 30 230V SF UL MKII		Page description:	Legend	Customer:	Blastrac BV	=
			Ed.							Drawing number:	PJ10.1040.01	+
			Appr									Page
												3

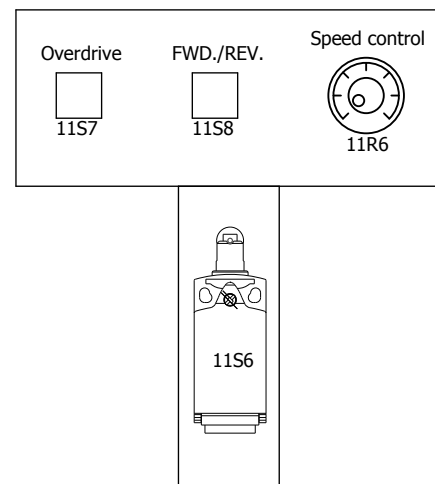
	auxiliary contact	hulpcontact		signal light	signaallamp		Safety fuse	smeltveiligheid
	Power contact	vermogenscontact		horn	hoorn		Fused switch, three-pole	schakelbare scheid
	NO contact, opens with time delay	maakcontact, vertraagd open		apm.meter	amperemeter		Fused disconnect, three-pole	scheider "klapbak"
	NO contact, closes with time delay	maakcontact, vertraagd sluitend		runninghour counter	urenteller		Main switch	hoofdschakelaar
	NC contact, opens with time delay	verbreekcontact, vertraagd open		transformer	transformator		Circuit breaker, single-pole	installatieautomaat 1-polig
	NC contact, closes with time delay	verbreekcontact, vertraagd sluitend		Contactor coil relay coil	spoel		Circuit breaker, two-pole	installatieautomaat 2-polig
	Pushbutton rebound	drukknop terugverend		Contactor/relay coil, with pick-up delay	Spoel met opkomvertraging		Circuit breaker, three-pole	installatieautomaat 3-polig
	Pushbutton locking	drukknop blijvend		Contactor/relay coil, with drop-out delay	spoel met afvalvertraging		Power circuit breaker motor overload switch with switch mechanism	motorbeveiligingsschakelaar
	Rotary switch rebound	tip draaischakelaar		Contactor pulse coil relay pulse coil,	spoel puls		Valve	elektrisch bediende klep
	Rotary switch locking	draaischakelaar		Tube light	TL verlichting		Resistor with movable contact	regelbare weerstand
	Emergency stop rotary unlock	noodstop met draaibare vrijgave		Resistor / Heating	weerstand verwarming		Terminal	rijgklem
	Thermostatic switch	thermostaat hygrostaat		Socket	wandcontactdoos		Terminal with fuse	rijgklem met zekering
	Pressure switch	drukschakelaar		Current transformer	stroomtransformator		Rectifier	gelijkrichter
	Limit switch	eindschakelaar						
	Proximity switch	naderingsschakelaar						

© ART4 Technical Systems, Soest NL

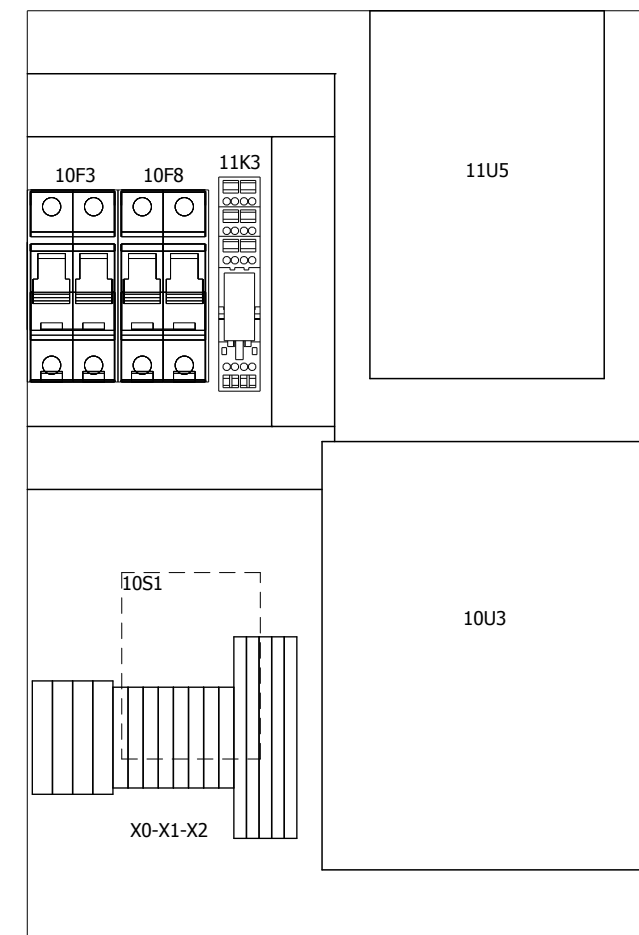
FRONT VIEW



STEERING-UNIT



MOUNTING PLATE



Modification	Date	Name	Date	26-1-2010	Project name:
			Ed.		1-8 DPS 30 230V SF UL MKII
			Appr		

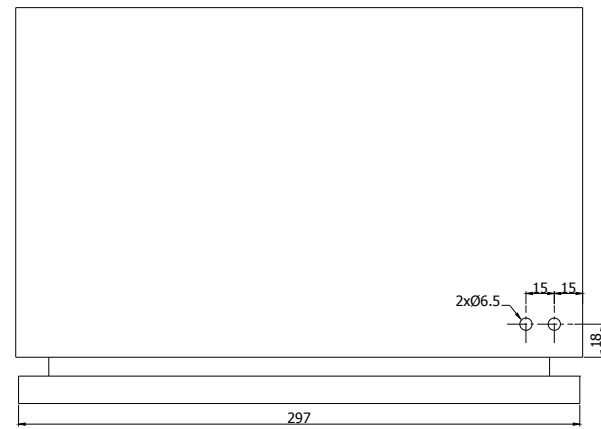
Project name:
1-8 DPS 30 230V SF UL MKII



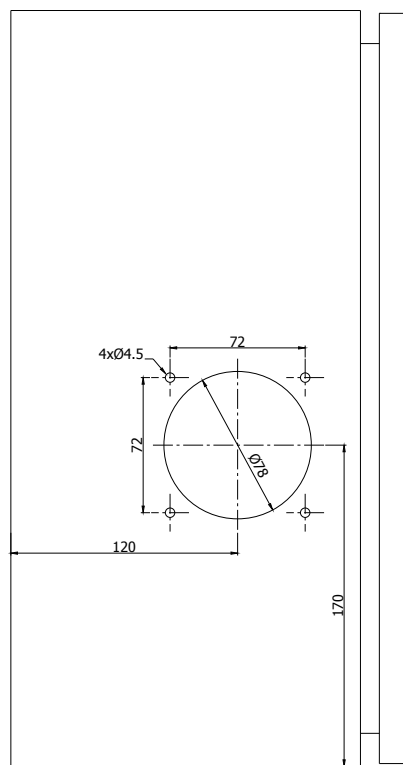
Page description:
Panel layout

Customer: **Blastrac BV**
Drawing number: **PJ10.1040.01**

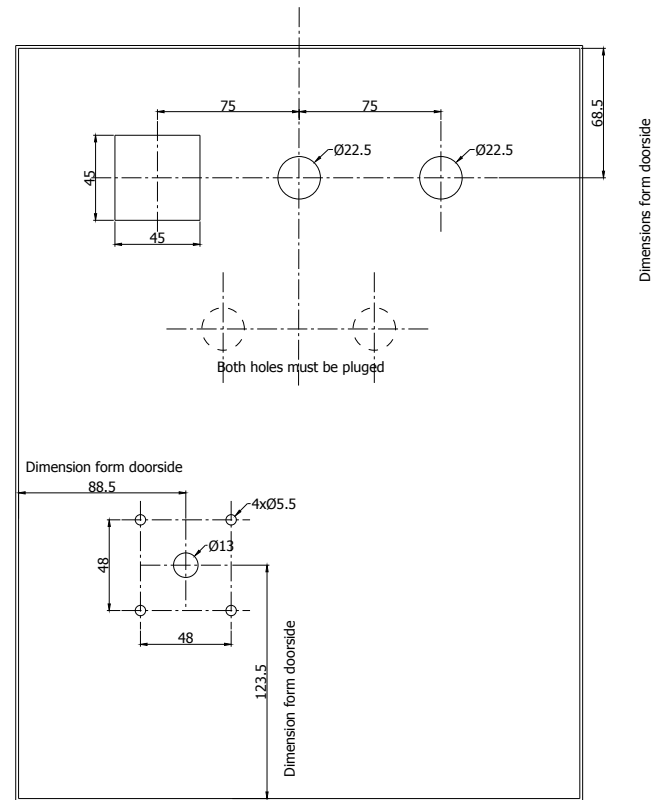
TOP VIEW



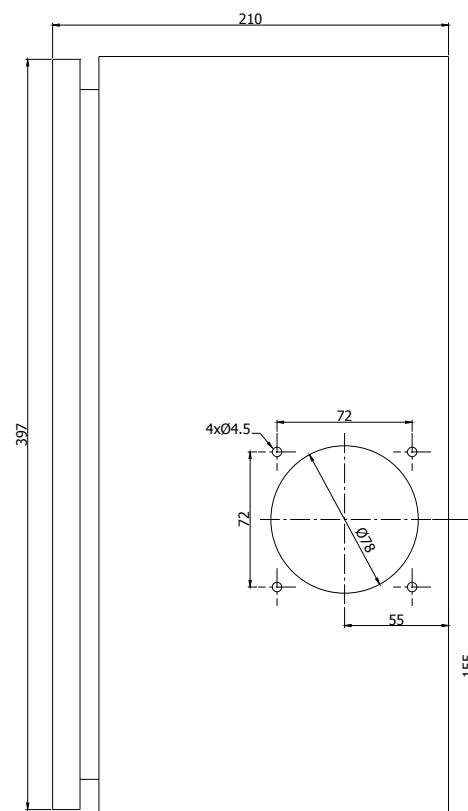
LEFT-HAND VIEW
FAN side



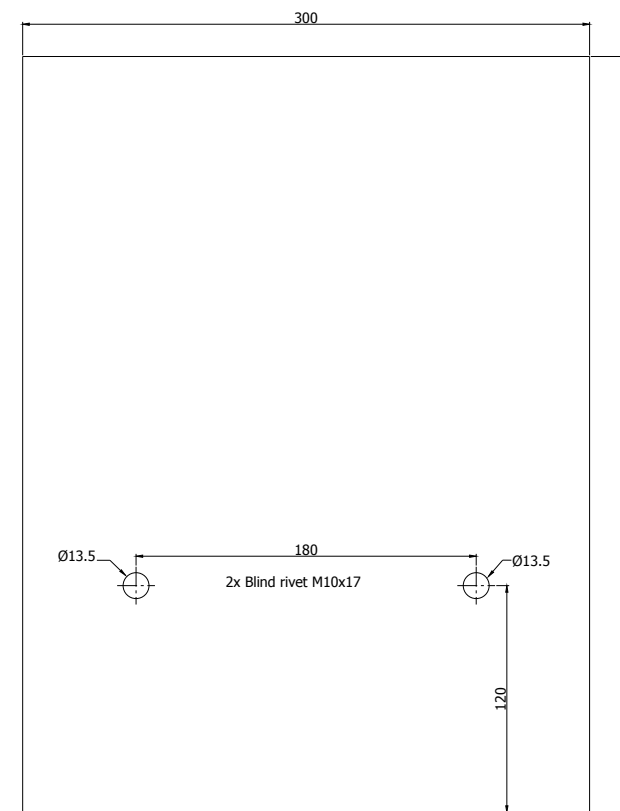
FRONT VIEW



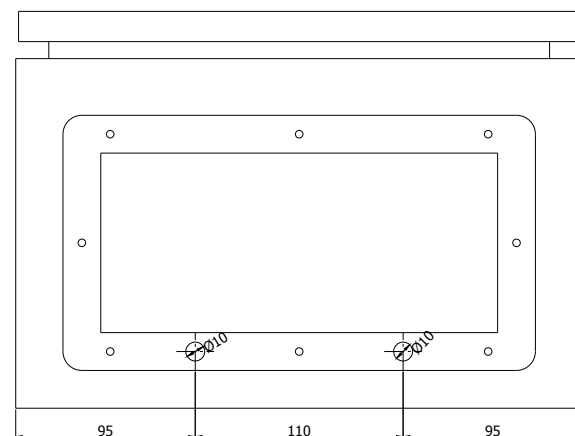
RIGHT-HAND VIEW



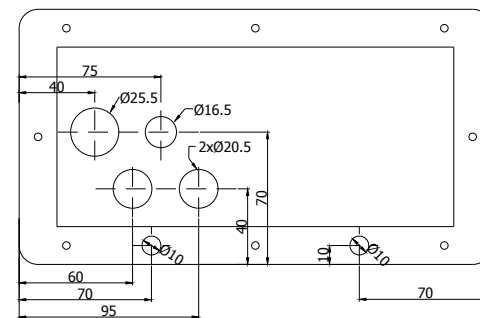
REAR VIEW



BOTTOM VIEW



UNIONPLATE



Modification	Date	Name	Date	26-1-2010
			Ed.	
			Appr	

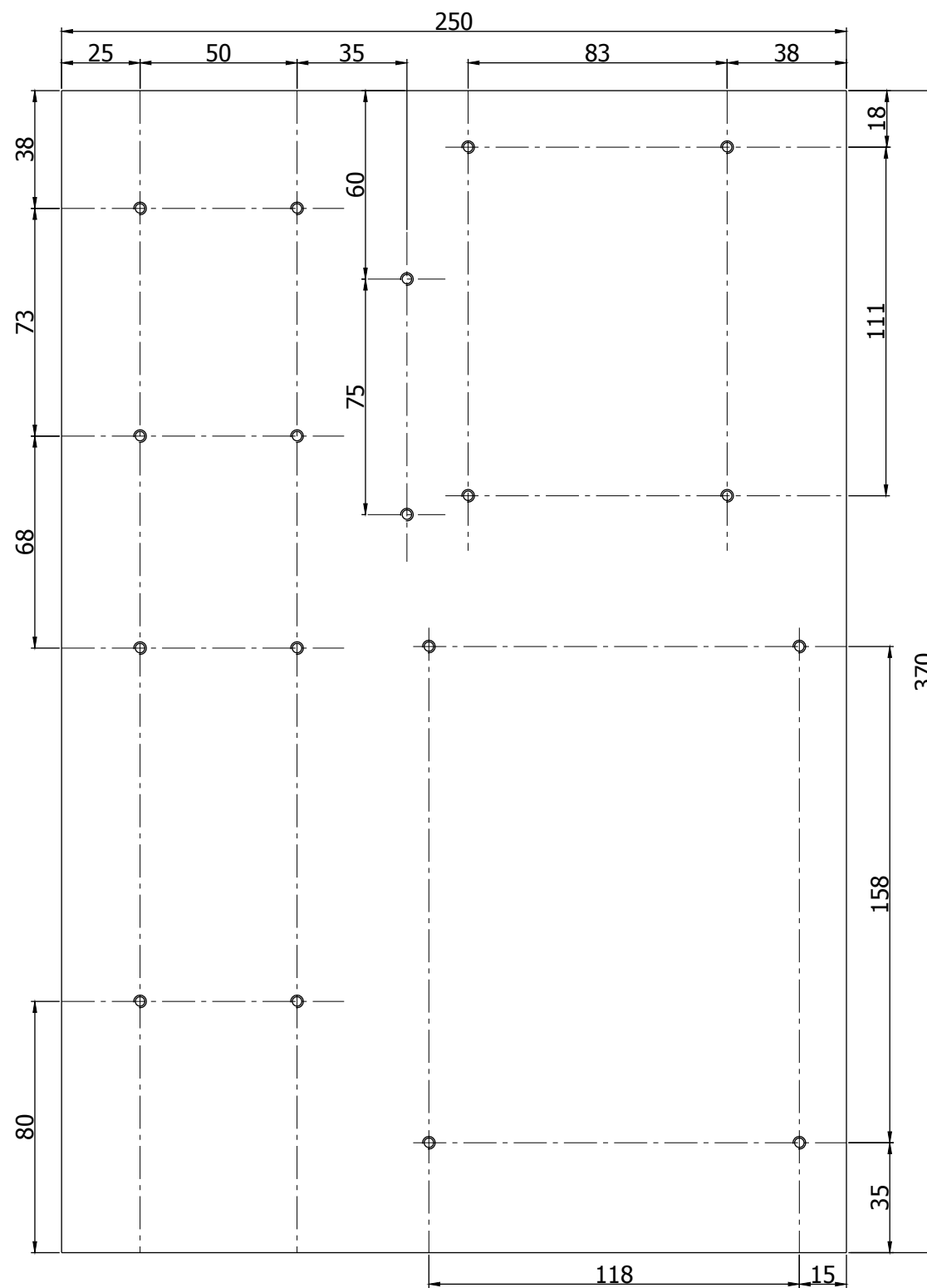
Project name:
1-8 DPS 30 230V SF UL MKII



Page description:
Panel layout dimensions

Customer: **Blastrac BV**
Drawing number: **PJ10.1040.01**

MOUNTING PLATE



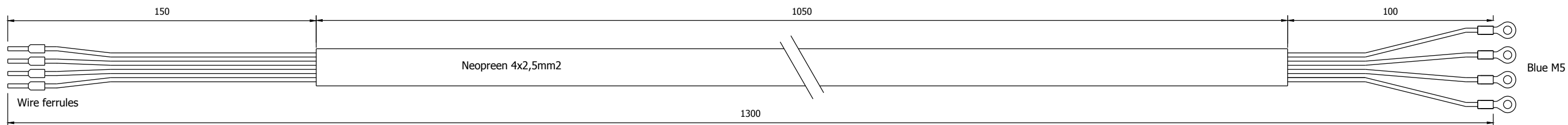
All tapped holes M4

			Date	26-1-2010	Project name:		Page description:	Customer:	Blastrac BV	=
			Ed.		1-8 DPS 30 230V SF UL MKII		Mountingplate dimensions	Drawing number:	PJ10.1040.01	+
Modification	Date	Name	Appr							Page

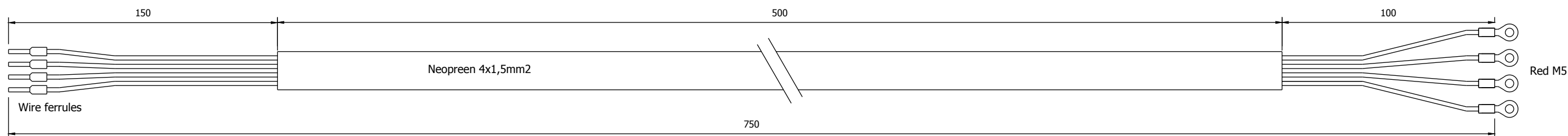
Kastzijde

Blastmotor (total length 130cm)

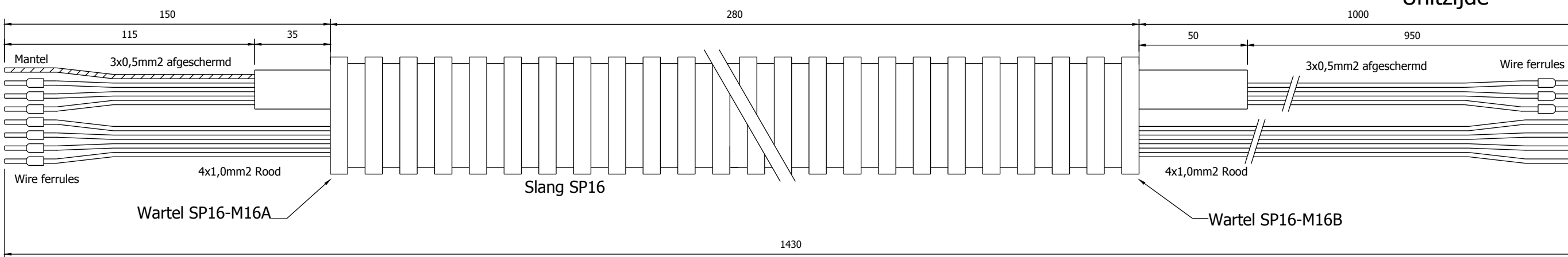
Motorzijde



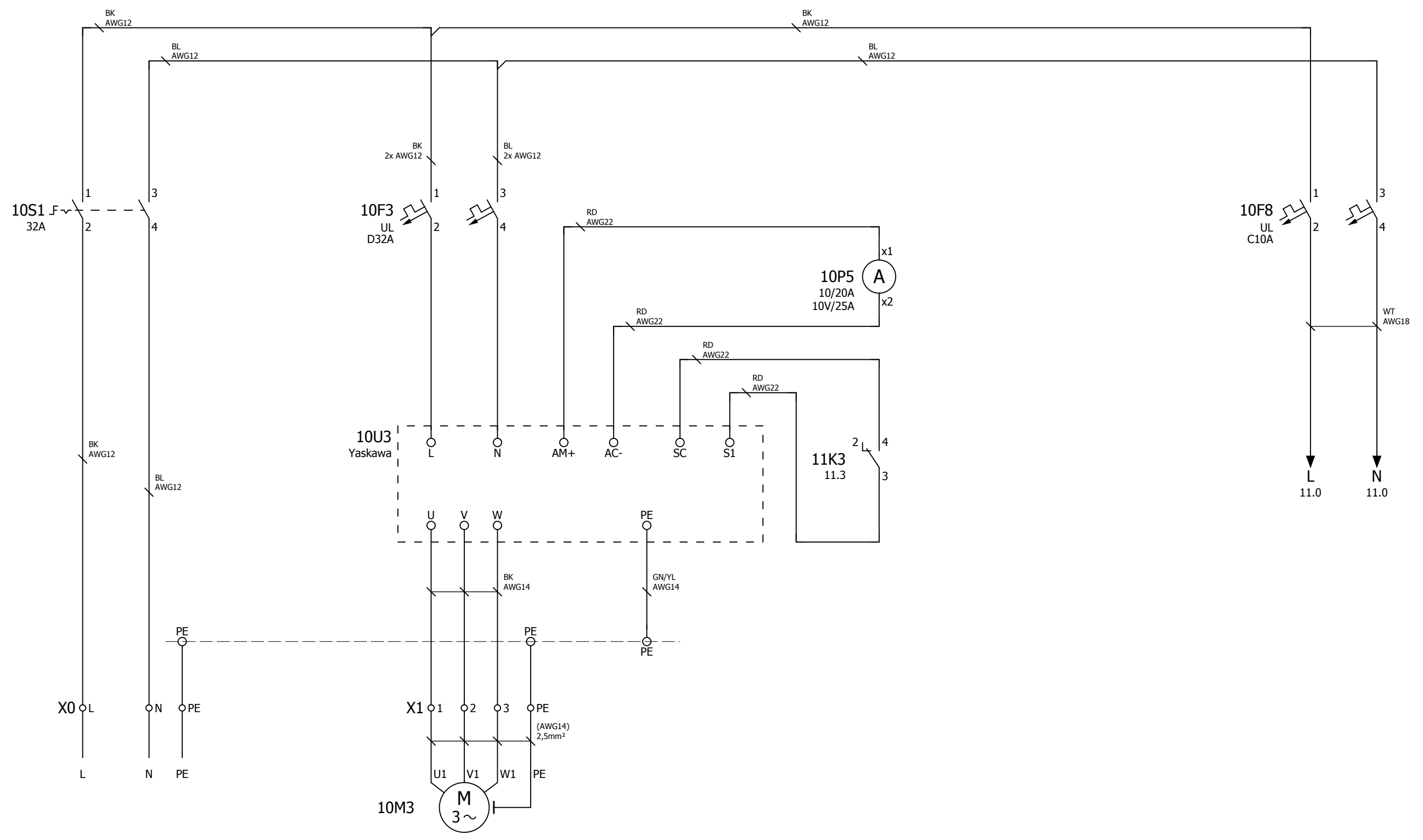
Wheelmotor (total length 75cm)



Steering-unit (total length 143cm)



			Date	26-1-2010	Project name:			Customer:	Blastrac BV	=
			Ed.		1-8 DPS 30 230V SF UL MKII		Cableset	Drawing number:	PJ10.1040.01	+
			Appr							Page
Modification	Date	Name								



Supply
200-230VAC
50-60Hz

Blast motor
3ph 220VAC / 3kW / 12,8A

Control Voltage
230V 50-60Hz

MC — MA 11.4

Modification	Date	Name

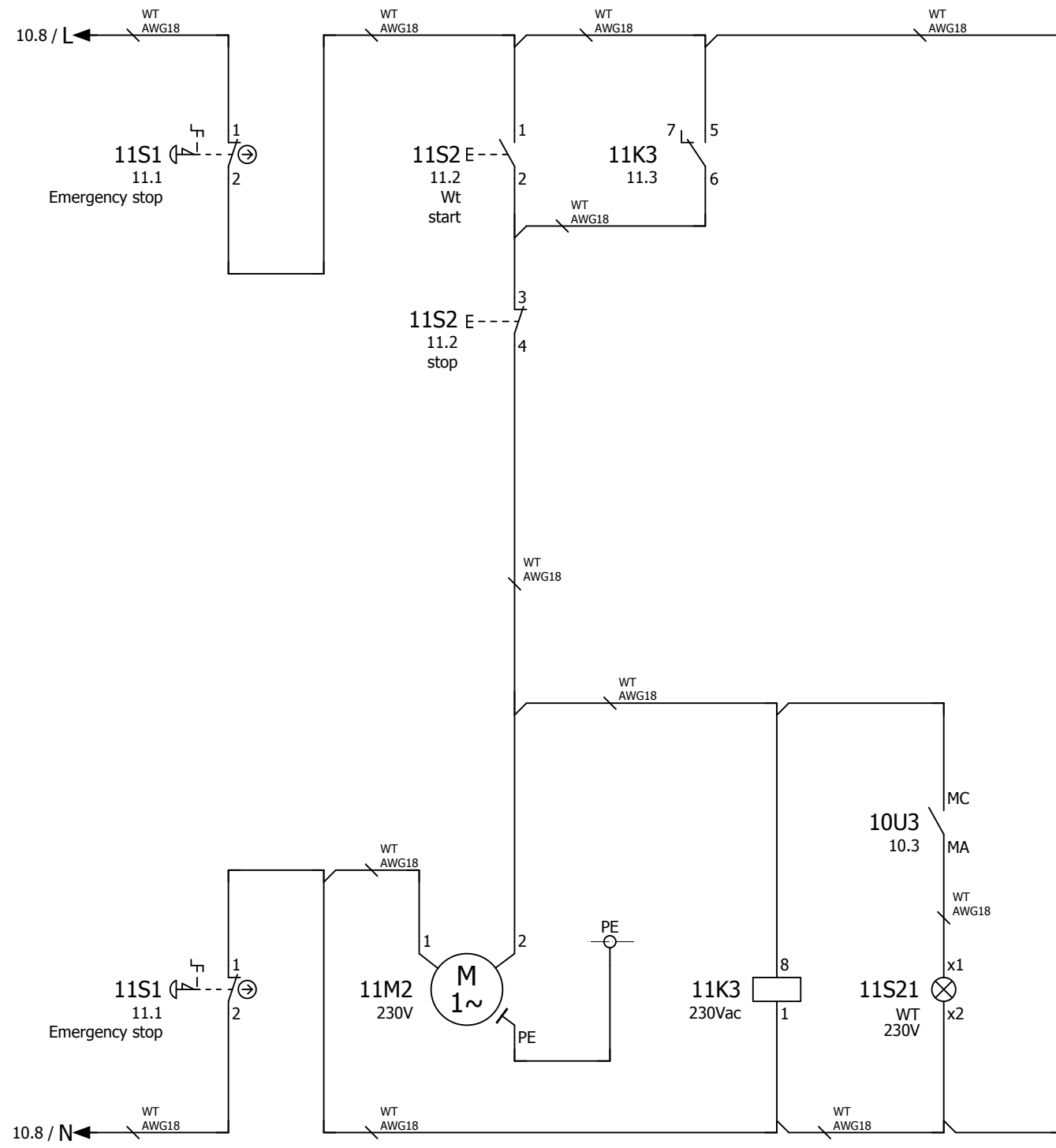
Date	27-1-2010
Ed.	
Appr	
Project name:	1-8 DPS 30 230V SF UL MKII



Page description:	Main Current
-------------------	--------------

Customer:	Blastrac BV
Drawing number:	PJ10.1040.01

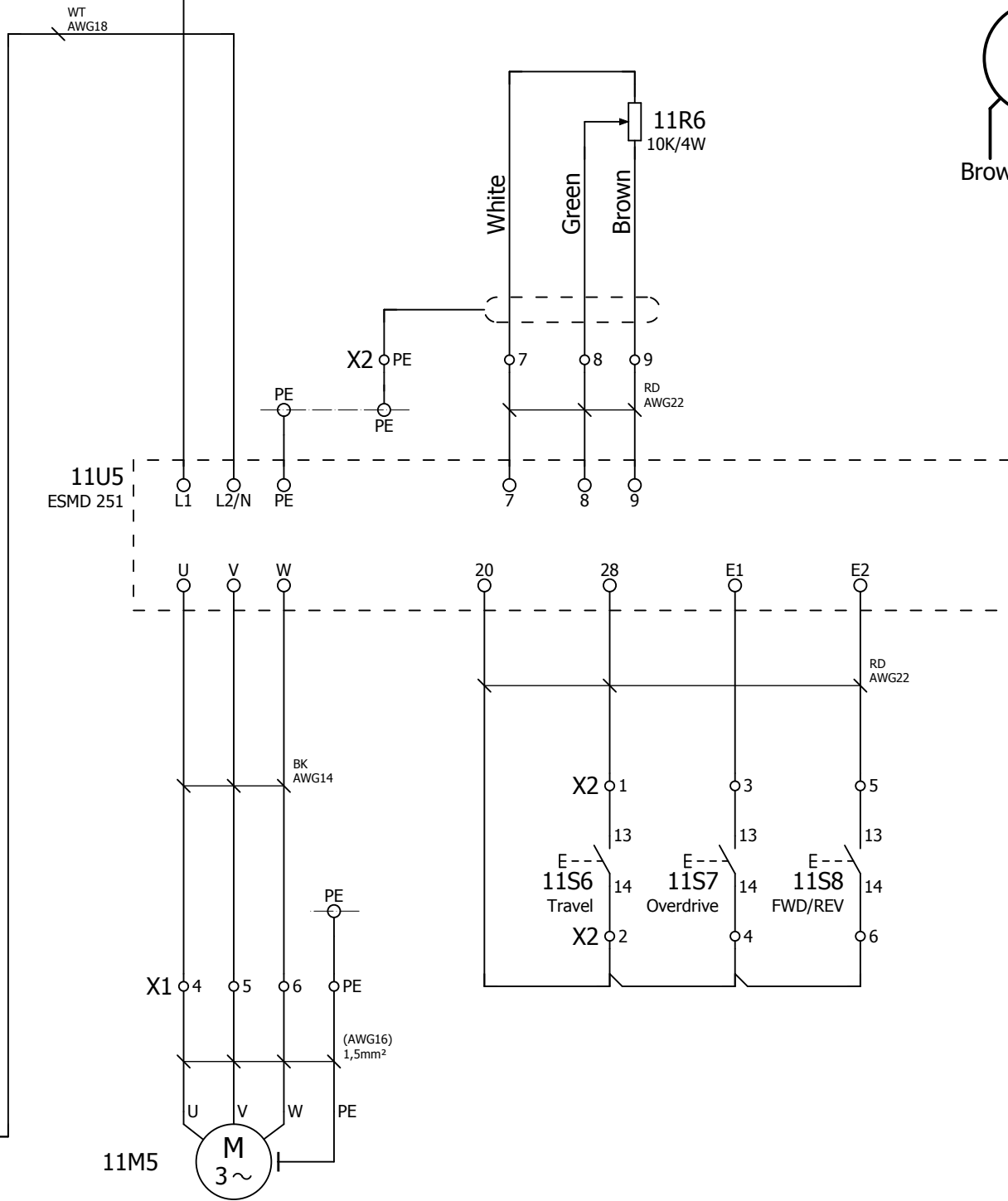
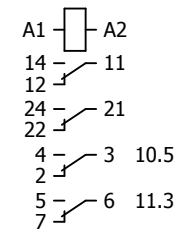
Page	10
------	----



FAN

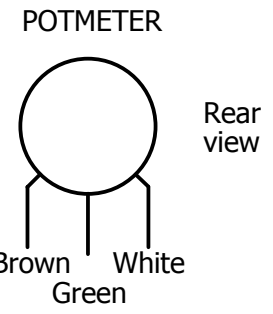
Motor running

Motor running



Wheelmotor
3ph 220VAC / 0,25kW
Connect as Delta

Controls
Steering-unit



Rear view

Modification	Date	Name

Date	27-1-2010
Ed.	
Appr	
Project name:	1-8 DPS 30 230V SF UL MKII



Page description:	Control current
-------------------	-----------------

Customer:	Blastrac BV
Drawing number:	PJ10.1040.01

Page	11
------	----

Terminal diagram

function text	Cable name	Cable name	Strip X0 Terminals Power Supply				Cable name	Cable name	Page / column
			Target designation	Connection point	terminal	Jumper			
Supply 200-230VAC 50-60Hz				L	L	.	10S1	2	10.1
=				N	N	.	10S1	4	10.1
=				PE	PE	.		PE	10.1

Terminal diagram

function text	Cable name	cable type	Strip X1 Terminals Blast- and wheelmotor					Cable name	cable type	Page / column
			Target designation	Connection point	terminal	Jumper	Target designation			
Blast motor 3ph 220VAC / 3kW / 12,8A			10M3	U1	1	.	10U3	U	10.3	
=			10M3	V1	2	.	10U3	V	10.3	
=			10M3	W1	3	.	10U3	W	10.3	
=			10M3	PE	PE	.		PE	10.3	
Wheelmotor 3ph 220VAC / 0,25kW Connect as Delta			11M5	U	4	.	11U5	U	11.5	
=			11M5	V	5	.	11U5	V	11.5	
=			11M5	W	6	.	11U5	W	11.5	
=			11M5	PE	PE	.		PE	11.5	

Terminal diagram

function text		Strip X2 Terminals Steering-unit							Page / column		
		Cable name	cable type				Cable name	cable type			
Target designation	Connection point	terminal	jumper	Target designation	Connection point						
Travel switch		1	.	11U5	28					11.6	
=		2	.	11U5	20					11.6	
Overdrive		3	.	11U5	E1					11.7	
=		4	.							11.7	
FWD/REV		5	.	11U5	E2					11.7	
=		6	.							11.7	
Speed control WT		7	.	11U5	7					11.6	
Speed control GN		8	.	11U5	8					11.6	
Speed control BN		9	.	11U5	9					11.6	
Speed control shield		PE	.		PE					11.6	

Parts list

device tag	Quantity	designation	Type number	Brand	part number
CAB	1	Enclosure 400x300x210 with mounting plate 370x250	MAS 0403021SPECIAL	Eldon	MAS 0403021
CAB	1	Cable Gland M25*1.5 Nickel-plated	WARTEL L-M25*1.5	Jacob	50.625 M-L
CAB	1	Locknut M25*1.5 Nickel-plated	WARTELMOER M25	Jacob	50.225 M
CAB	2	Cable Gland M20*1.5 Nickel-plated	WARTEL L-M20*1.5	Jacob	50.620 M-L
CAB	2	Locknut M20*1.5 Nickel-plated	WARTELMOER M20	Jacob	50.220 M
CAB	1	Reduction Ø16 to M16 Nickel-plated rotating	SP16/M16/B	Jacob	SP16/M16/B
CAB	2	Locknut M16*1.5 Nickel-plated	WARTELMOER M16	Jacob	50.216 M
CAB	1	Reduction Ø16 to M16 Nickel-plated	SP16/M16/A	Jacob	SP16/M16/A
CAB	2	Blind rivet M10x17	Blindklinkmoer M10	Eldon	POPBC M10x17 st verzinkt
10S1	1	Switch 3p. 32A	V1	Schneider Electric	V1
10S1	1	Handle and frontplate	KCF 1PZ	Schneider Electric	KCF 1PZ
10U3	1	Varispeed V7 4kW	CIMR-V7AZB4P00	OMRON	CIMR-V7AZB4P00
10F3	1	Miniature circuit breaker 2p D32A UL 489 type	C60N-1492-SP2D320 UL489	Allen Bradley	1492-SP2D320 UL489
10P5	1	Amp-meter 10/20A direct	IQ/EQ 10/20A	Celsa	EQ 48 10/20A
10F8	1	Miniature circuit breaker 2P C10A UL 489	C60N-1489-A2C100	Allen Bradley	1489-A2C100
11S1	1	Pushbutton Emergency stop	ZB4 BS54	Schneider Electric	ZB4 BS54
11S1	1	element 2xNC with mountingbase	ZB4 BZ104	Schneider Electric	ZB4 BZ104
11M2	1	Fan 230V	FAN 8550N	EBM Papst	FAN 80*80*38
11M2	2	Fan filter	FF80	EBM Papst	221-336 kast kl.beh.
11M2	1	Fan finger guard	LZ32-4	EBM Papst	250-1612 kast kl.beh.
11S2	1	Pushbutton COMBI+LED	ZB5 AW823743	Schneider Electric	ZB5 AW823743
11S2	1	Pilot light White 230V	ZB5 AVM1 LED WIT 220	Schneider Electric	ZB5 AVM1
11S2	1	element NO	ZBE 101	Schneider Electric	ZBE 101
11S2	1	element NC	ZBE 102	Schneider Electric	ZBE 102
11S2	1	Silicon hood for combibutton	ZBW 008	Schneider Electric	ZBW 008
11K3	1	Interface relay 2xCO 230Vac	G2R-2-SNI-230	OMRON	G2R-2-SNI-230
11K3	1	Relay socket	P2RF-08-E	OMRON	P2RF-08-S
11U5	1	Frequency inverter	ESMD251 X2SFA	Lenze	ESMD251 X2SFA
11S6	1	Standswitch	XCK-P2102P16 Bed.eindschak.	Schneider Electric	08.07.0109
11R6	1	Trim-pot 10K	Potmeterset 10K ZB4	Generic	Potmeterset 10K ZB4
11R6	1	Screw plug for ø22	ZB5 SZ3	Schneider Electric	ZB5 SZ3
11R6	1	Pot.meter	ZB5 AD912	Schneider Electric	ZB5 AD912
11S7	1	Pushbutton 16mm White	XB6-CA11B	Schneider Electric	08.01.0243
11S8	1	Screw plug for ø22	ZB5 SZ3	Schneider Electric	ZB5 SZ3
11S8	1	Pushbutton 16mm White	XB6-CA11B	Schneider Electric	08.01.0243
X0	1	End bracket	WEID ZEW 35	Weidmüller	9540000000
X0	2	Terminal	VU4-6 conn.railkl.	Wieland	WK6/U/0V
X0	1	Earth terminal	VUPE4-6 conn.railkl.	Wieland	WK6/SL/U/0V
X0	1	Terminal End plate WK6	AP 6	Wieland	AP 6/VO
X1	6	Terminal	VU4-4 conn.railkl.	Wieland	WK4/U/0V
X1	2	Earth terminal	VUPE4-4 conn.railkl.	Wieland	WK4/SL/U/0V
X1	1	Terminal End plate 2.5-4	AP 2.5-4	Wieland	AP 2.5-4 / VO
X2	5	Double level terminal 2.5mm²	WEID ZDK 2.5	Weidmüller	1674300000
X2	1	End plate ZDU 2.5	WEID ZAP/TW ZDK2.5-DB	Weidmüller	1674730000
X2	1	Double level PE terminal 2.5mm²	WEID ZDK 2.5PE	Weidmüller	1690000000
X2	1	End bracket	WEID ZEW 35	Weidmüller	9540000000

Modification	Date	Name	Date	23-2-2010	Project name:	1-8 DPS 30 230V SF UL MKII		Page description:	Part list	Customer:	Blastrac BV	=
			Ed.							Drawing number:	PJ10.1040.01	+
			Appr									Page
												30